

Bellows suction cups (round)

FSG 85 VU1-72 G1/4-AG ON

Part no...:10.01.06.00202

<https://www.schmalz.com/10.01.06.00202>

Home > Vacuum Technology for Automation > Vacuum Components > Vacuum Suction Cups > Suction Cups for Handling Sheet Metal > Bellows Suction Cups FSG VU1 (2.5 Folds) > FSG 85 VU1-72 G1/4-AG ON

Bellows suction cup (round) for very uneven workpieces



Size: 85

Suction cup material: Vulkollan VU1

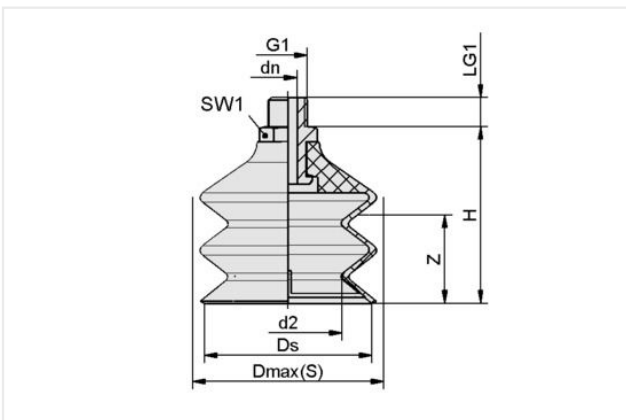
Material hardness [Shore A]: 72 Shore A

Nipple material: Aluminum

Connection: G1/4"-M

Number of folds: 2.5

Design Data



Attribute	Value
d2	51 mm
dn	6 mm
Dmax(S)	90 mm
Ds	80.20 mm
G1	G1/4"-M
H	90 mm
LG1	10 mm
SW1	22 mm
Z (Stroke)	38 mm

Note: Acceptable dimensional tolerances for elastomer parts concerning to DIN ISO 3302-1 M3

Technical Data

Attribute	Value
Suction force (-600mbar)	120 N
Pull-off force	250 N
Volume	201.58 cm ³
Curve radius (min) (convex)	60 mm
Hose diameter (empf.) d	6 mm
Size	85
Nipple family	N 015

Contact Schmalz

Schmalz Sp.z.o.o. | ul. Fabianowska 131/A1, 62-052 Komorniki, Poland | +48 61 628 67 70 | schmalz@schmalz.pl

Bellows suction cups (round)

FSG 85 VU1-72 G1/4-AG ON

Part no...:10.01.06.00202

<https://www.schmalz.com/10.01.06.00202>

Suction cup material	Vulkollan VU1
Material hardness [Shore A]	72 Shore A
Weight	140.40 g
Number of folds	2.50
Product family	FSG

Note: Suction force: The specified suction forces are theoretical values at a vacuum of -0.6 bar and with a dry, smooth and flat workpiece surface - they do not include a safety factor Hose diameter: The recommended hose diameter refers to a hose length of approx. 2 m

Spare parts



SA-NIP N015 G1/4-AG DN600

Part no...:10.01.06.00185

Thread G1: G1/4"-M

Fitting length: 5 mm

Material: Aluminum

External diameter D: 18 mm

Spanner size SW2: 6 mm



FG 85 VU1-72 N015 ON

Part no...:10.01.06.00209

Size: 85

Suction cup material: Vulkollan VU1

Material hardness [Shore A]: 72 Shore A

Number of folds: 2.5