

Bellows suction cups (round)

FSGA 30 VU1-72 G1/4-AG

Part no.:10.01.06.00197

<https://www.schmalz.com/10.01.06.00197>

Home > Vacuum Technology for Automation > Vacuum Components > Vacuum Suction Cups > Suction Cups for Handling Sheet Metal > Bellows Suction Cups FSGA VU1 (1.5 Folds) > FSGA 30 VU1-72 G1/4-AG

Bellows suction cup (round) with optimal adaptation to uneven surfaces



Size: 30

Suction cup material: Vulkollan VU1

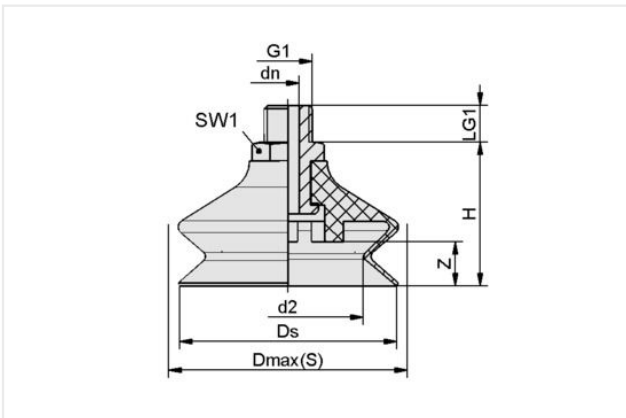
Material hardness [Shore A]: 72 Shore A

Nipple material: Aluminum

Connection: G1/4"-M

Number of folds: 1.5

Design Data



Attribute	Value
d2	17 mm
dn	3.50 mm
Dmax(S)	31.50 mm
Ds	29 mm
G1	G1/4"-M
H	32 mm
LG1	10 mm
SW1	17 mm
Z (Stroke)	8.50 mm

Note: Acceptable dimensional tolerances for elastomer parts concerning to DIN ISO 3302-1 M3

Technical Data

Attribute	Value
Suction force (-600mbar)	13.50 N
Pull-off force	32 N
Volume	5.76 cm ³
Curve radius (min) (convex)	25 mm
Hose diameter (empf.) d	6 mm
Size	30
Nipple family	N 013

Contact Schmalz

Schmalz Sp.z.o.o. | ul. Fabianowska 131/A1, 62-052 Komorniki, Poland | +48 61 628 67 70 | schmalz@schmalz.pl

Bellows suction cups (round)

FSGA 30 VU1-72 G1/4-AG

Part no...:10.01.06.00197

<https://www.schmalz.com/10.01.06.00197>

Suction cup material	Vulkollan VU1
Material hardness [Shore A]	72 Shore A
Weight	15 g
Product family	FSGA
Number of folds	1.50

Note: Suction force: The specified suction forces are theoretical values at a vacuum of -0.6 bar and with a dry, smooth and flat workpiece surface - they do not include a safety factor Hose diameter: The recommended hose diameter refers to a hose length of approx. 2 m

Spare parts



SA-NIP N013 G1/4-AG DN350

Part no...:10.01.06.00183

Thread G1: G1/4"-M

Fitting length: 5 mm

Material: Aluminum

External diameter D: 12.5 mm

Spanner size SW2: 5 mm



FGA 30 VU1-72 N013

Part no...:10.01.06.00177

Size: 30

Suction cup material: Vulkollan VU1

Material hardness [Shore A]: 72 Shore A

Number of folds: 1.5