

Bellows suction cups (round)

FSGA 150 SI-70 G1/2-IG

Part no.:10.01.06.00121

<https://www.schmalz.com/10.01.06.00121>

Home > Vacuum Technology for Automation > Vacuum Components > Vacuum Suction Cups > Bellows Suction Cups (Round) > Bellows Suction Cups FSGA (1.5 Folds) from Ø 110 mm > FSGA 150 SI-70 G1/2-IG

Bellows suction cup (round) with optimal adaptation to uneven surfaces



Size: 150

Number of folds: 1.5

Suction cup material: Silicone SI

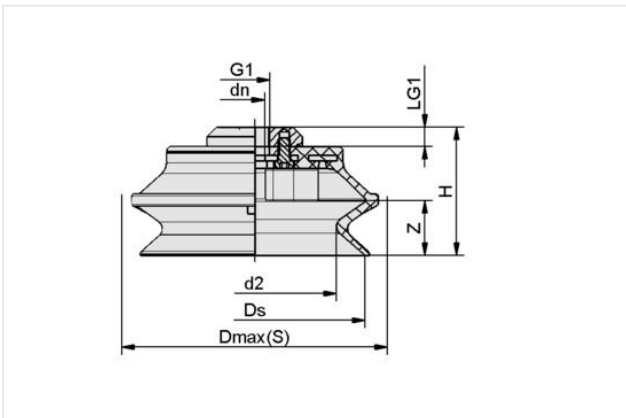
Material hardness [Shore A]: 70 Shore A

Material characteristics: FDA

Nipple material: Aluminum

Connection: G1/2"-F

Design Data



Attribute	Value
dn	13.50 mm
d2	111 mm
Dmax(S)	177 mm
Ds	150 mm
G1	G1/2"-F
H	88.50 mm
LG1	13 mm
Z (Stroke)	37.50 mm

Note: Acceptable dimensional tolerances for elastomer parts concerning to DIN ISO 3302-1 M3

Technical Data

Attribute	Value
Suction force (-600mbar)	570 N
Pull-off force	1000 N
Volume	800 cm ³
Curve radius (min) (convex)	250 mm
Hose diameter (empf.) d	12 mm
Size	150
Nipple family	N 010

Contact Schmalz

Schmalz Sp.z.o.o. | ul. Fabianowska 131/A1, 62-052 Komorniki, Poland | +48 61 628 67 70 | schmalz@schmalz.pl

Bellows suction cups (round)

FSGA 150 SI-70 G1/2-IG

Part no...:10.01.06.00121

<https://www.schmalz.com/10.01.06.00121>

Suction cup material	Silicone SI
Material hardness [Shore A]	70 Shore A
Weight	801.50 g
Product family	FSGA
Number of folds	1.50

Note: Suction force: The specified suction forces are theoretical values at a vacuum of -0.6 bar and with a dry, smooth and flat workpiece surface - they do not include a safety factor
Hose diameter: The recommended hose diameter refers to a hose length of approx. 2 m

Spare parts



FGA 150 SI-70 N010

Part no...:10.01.06.00117

Size: 150

Suction cup material: Silicone SI

Material hardness [Shore A]: 70 Shore A

Number of folds: 1.5

Material characteristics: FDA-compatible



SA-NIP N010 G1/2-IG

Part no...:10.01.01.00796

Thread G1: G1/2"-F

Material: Aluminum

Bellows suction cups (round)

FSGA 150 SI-70 G1/2-IG

Part no...:10.01.06.00121

<https://www.schmalz.com/10.01.06.00121>



FGA 150 SI-70 N010

Part no...:10.01.06.00117

Size: 150

Suction cup material: Silicone SI

Material hardness [Shore A]: 70 Shore A

Number of folds: 1.5

Material characteristics: FDA-compatible