

## Bellows suction cups (round)

FSGA 110 NBR-70 G1/2-IG

Part no...:10.01.06.00118

<https://www.schmalz.com/10.01.06.00118>

Home > Vacuum Technology for Automation > Vacuum Components > Vacuum Suction Cups > Bellows Suction Cups (Round) > Bellows Suction Cups FSGA (1.5 Folds) from Ø 110 mm > FSGA 110 NBR-70 G1/2-IG

### Bellows suction cup (round) with optimal adaptation to uneven surfaces



Size: 110

Number of folds: 1.5

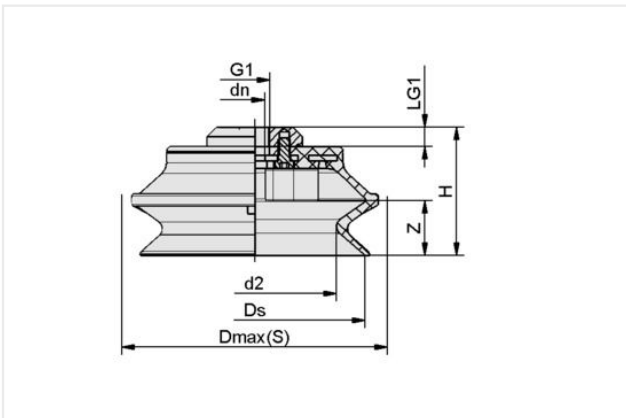
Suction cup material: Nitrile rubber NBR

Material hardness [Shore A]: 70 Shore A

Nipple material: Aluminum

Connection: G1/2"-F

### Design Data



Attribute	Value
dn	13.50 mm
d2	80 mm
Dmax(S)	130 mm
Ds	111 mm
G1	G1/2"-F
H	69.50 mm
LG1	13 mm
Z (Stroke)	29.50 mm

Note: Acceptable dimensional tolerances for elastomer parts concerning to DIN ISO 3302-1 M3

### Technical Data

Attribute	Value
Suction force (-600mbar)	280 N
Pull-off force	570 N
Volume	330 cm <sup>3</sup>
Curve radius (min) (convex)	85 mm
Hose diameter (empf.) d	12 mm
Size	110
Nipple family	N 010

### Contact Schmalz

Schmalz Sp.z.o.o. | ul. Fabianowska 131/A1, 62-052 Komorniki, Poland | +48 61 628 67 70 | [schmalz@schmalz.pl](mailto:schmalz@schmalz.pl)

## Bellows suction cups (round)

FSGA 110 NBR-70 G1/2-IG

Part no...:10.01.06.00118

<https://www.schmalz.com/10.01.06.00118>

Suction cup material	Nitrile rubber NBR
Material hardness [Shore A]	70 Shore A
Weight	358.30 g
Product family	FSGA
Number of folds	1.50

Note: Suction force: The specified suction forces are theoretical values at a vacuum of -0.6 bar and with a dry, smooth and flat workpiece surface - they do not include a safety factor  
Hose diameter: The recommended hose diameter refers to a hose length of approx. 2 m

### Spare parts



#### FGA 110 NBR-70 N010

Part no...:10.01.06.00114

Size: 110

Suction cup material: Nitrile rubber NBR

Material hardness [Shore A]: 70 Shore A

Number of folds: 1.5



#### SA-NIP N010 G1/2-IG

Part no...:10.01.01.00796

Thread G1: G1/2"-F

Material: Aluminum

## Bellows suction cups (round)

FSGA 110 NBR-70 G1/2-IG

Part no...:10.01.06.00118

<https://www.schmalz.com/10.01.06.00118>



### FGA 110 NBR-70 N010

Part no...:10.01.06.00114

Size: 110

Suction cup material: Nitrile rubber NBR

Material hardness [Shore A]: 70 Shore A

Number of folds: 1.5