

Bellows suction cups (round)

FSGA 78 SI-55 G1/4-IG

Part no...:10.01.06.00074

<https://www.schmalz.com/10.01.06.00074>

Home > Vacuum Technology for Automation > Vacuum Components > Vacuum Suction Cups > Bellows Suction Cups (Round) > Bellows Suction Cups FSGA (1.5 Folds) > FSGA 78 SI-55 G1/4-IG

Bellows suction cup (round) with optimal adaptation to uneven surfaces



Size: 78

Suction cup material: Silicone SI

Material hardness [Shore A]: 55 Shore A

Material characteristics: FDA-compatible

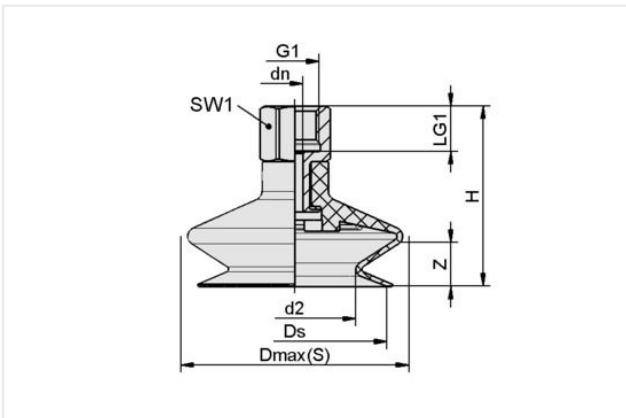
Nipple material: Aluminum

Connection: G1/4"-F

Number of folds: 1.5

Vacuum connection: G1/4"-F

Design Data



Attribute	Value
d2	54 mm
Dmax(S)	84.50 mm
dn	8.20 mm
Ds	74 mm
G1	G1/4"-F
H	62 mm
LG1	12 mm
SW1	21 mm
Z (Stroke)	16 mm

Note: Acceptable dimensional tolerances for elastomer parts concerning to DIN ISO 3302-1 M3

Technical Data

Attribute	Value
Suction cup material	Silicone SI
Material hardness [Shore A]	55 Shore A
Size	78
Number of folds	1.50
Connection	G1/4-IG
Curve radius (min) (convex)	100 mm
Volume	75.58 cm ³

Contact Schmalz

Schmalz Sp.z.o.o. | ul. Fabianowska 131/A1, 62-052 Komorniki, Poland | +48 61 628 67 70 | schmalz@schmalz.pl

Bellows suction cups (round)

FSGA 78 SI-55 G1/4-IG

Part no...:10.01.06.00074

<https://www.schmalz.com/10.01.06.00074>

Suction force (-600mbar)	137.40 N
Pull-off force	218 N
Hose diameter (empf.) d	6 mm
Weight	71 g
Product family	FSGA

Note: Suction force: The specified suction forces are theoretical values at a vacuum of -0.6 bar and with a dry, smooth and flat workpiece surface - they do not include a safety factor Pull-off force: The pull-off force of the versions made of natural rubber is reduced by about 40% Hose diameter: The recommended hose diameter refers to a hose length of approx. 2 m

Spare parts



FGA 78 SI-55 N019

Part no...:10.01.06.00129

Size: 78

Suction cup material: Silicone SI

Material hardness [Shore A]: 55 Shore A

Material characteristics: FDA-compatible

Number of folds: 1.5