

Bellows suction cups (round)

FSG 88 SI-55 G1/4-AG

Part no...:10.01.06.00047

<https://www.schmalz.com/10.01.06.00047>

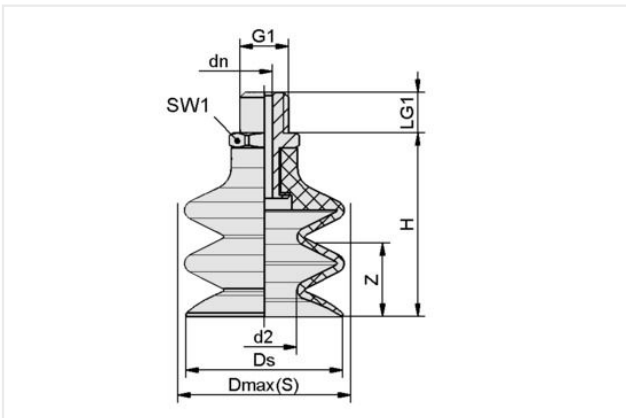
Home > Vacuum Technology for Automation > Vacuum Components > Vacuum Suction Cups > Bellows Suction Cups (Round) > Bellows Suction Cups FSG (2.5 Folds) > FSG 88 SI-55 G1/4-AG

Bellows suction cup (round) for very uneven workpieces



Size: 88
Suction cup material: Silicone SI
Material hardness [Shore A]: 55 Shore A
Material characteristics: FDA-compatible
Nipple material: Aluminum
Connection: G1/4"-M
Number of folds: 2.5
Vacuum connection: G1/4"-M

Design Data



Attribute	Value
d2	29.30 mm
dn	8.20 mm
Dmax(S)	95.50 mm
Ds	89 mm
G1	G1/4"-M
H	92.50 mm
LG1	11 mm
SW1	21 mm
Z (Stroke)	34 mm

Note: Acceptable dimensional tolerances for elastomer parts concerning to DIN ISO 3302-1 M3

Technical Data

Attribute	Value
Suction cup material	Silicone SI
Material hardness [Shore A]	55 Shore A
Size	88
Number of folds	2.50
Connection	G1/4-AG
Curve radius (min) (convex)	100 mm
Volume	143.67 cm ³

Contact Schmalz

Schmalz Sp.z.o.o. | ul. Fabianowska 131/A1, 62-052 Komorniki, Poland | +48 61 628 67 70 | schmalz@schmalz.pl

Bellows suction cups (round)

FSG 88 SI-55 G1/4-AG

Part no...:10.01.06.00047

<https://www.schmalz.com/10.01.06.00047>

Suction force (-600mbar)	40.46 N
Pull-off force	286 N
Hose diameter (empf.) d	9 mm
Weight	173 g
Product family	FSG

Note: Suction force: The specified suction forces are theoretical values at a vacuum of -0.6 bar and with a dry, smooth and flat workpiece surface - they do not include a safety factor Pull-off force: The pull-off force of the versions made of natural rubber is reduced by about 40% Hose diameter: The recommended hose diameter refers to a hose length of approx. 2 m

Accessories



DR 88/64x5 MOS SI-15

Part no...:10.01.06.02620

External diameter D: 88 mm

Internal diameter d: 64 mm

Height H: 5 mm

Material type: Foam rubber

Sealing material: Silicone SI

Material hardness [Shore A]: 15 Shore A



SU 70

Part no...:10.01.01.12838

Size: 70

Clamping range: 65.0 ... 80.0 mm

Temperature resistance: 80 °C

Spare parts

Contact Schmalz

Schmalz Sp.z.o.o. | ul. Fabianowska 131/A1, 62-052 Komorniki, Poland | +48 61 628 67 70 | schmalz@schmalz.pl

Bellows suction cups (round)

FSG 88 SI-55 G1/4-AG

Part no...:10.01.06.00047

<https://www.schmalz.com/10.01.06.00047>



SA-NIP N018 G1/4-AG DN440

Part no...:10.01.06.01065

Nipple family: N 018

Thread G1: G1/4"-M

Length L1: 28.8 mm

Fitting length: 4 mm

Nominal diameter dn: 4.4 mm

Spanner size SW2: 5 mm

Material: Aluminum



SA-NIP N019 G1/4-AG DN820

Part no...:10.01.06.01959

Nipple family: N 019

Thread G1: G1/4"-M

Length L1: 40 mm

Fitting length: 6 mm

Nominal diameter dn: 8.2 mm

Spanner size SW2: 8 mm

Material: Aluminum



FG 88 SI-55 N019

Part no...:10.01.06.00147

Size: 88

Suction cup material: Silicone SI

Material hardness [Shore A]: 55 Shore A

Material characteristics: FDA-compatible

Number of folds: 2.5