

## Flat suction pad (round)

SFF 30 NBR-ESD-55 G1/4-IG

Part no...:10.01.01.14677

<https://www.schmalz.com/10.01.01.14677>

Home > Vacuum Technology for Automation > Vacuum Components > Vacuum Suction Cups > Suction Cups for the Electronics Industry > Suction Cups SFF / SFB1 > SFF 30 NBR-ESD-55 G1/4-IG

### Flat suction cup (round) for dynamic handling of thin and flexible workpieces



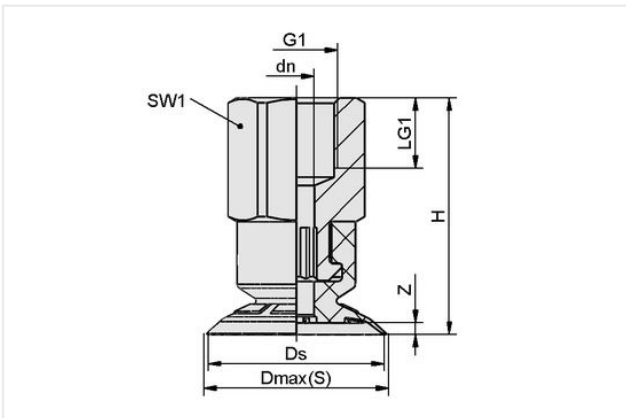
Size: 30

Suction cup material: Nitrile rubber NBR-ESD

Material hardness [Shore A]: 55 Shore A

Number of folds: 0

### Design Data



Attribute	Value
G1	G1/4"-F
Dmax(S)	31.50 mm
Ds	30 mm
dn	4 mm
LG1	12 mm
H	30.80 mm
SW1	17 mm
Z (Stroke)	2 mm

### Technical Data

Attribute	Value
Size	30
Suction cup material	Nitrile rubber NBR-ESD
Suction force (-600mbar)	26.90 N
Product family	SFF
Volume	1.70 cm <sup>3</sup>
Number of folds	0
Material hardness [Shore A]	55 Shore A

### Contact Schmalz

Schmalz Sp.z.o.o. | ul. Fabianowska 131/A1, 62-052 Komorniki, Poland | +48 61 628 67 70 | [schmalz@schmalz.pl](mailto:schmalz@schmalz.pl)

## Flat suction pad (round)

SFF 30 NBR-ESD-55 G1/4-IG

Part no...:10.01.01.14677

<https://www.schmalz.com/10.01.01.14677>

### Spare parts



#### SFF 30 NBR-ESD-55 SC040

Part no...:10.01.01.14635

Size: 30

Suction cup material: Nitrile rubber NBR-ESD

Material hardness [Shore A]: 55 Shore A

Number of folds: 0



#### SC 040 G1/4-IG

Part no...:10.01.06.02918

Connection geometry: 040

Vacuum connection: G1/4"-F

Fitting length: 17.3 mm

Nominal diameter dn: 4.1 mm