

Flat suction pad (round)

SFF 25 NBR-ESD-55 G1/8-IG

Part no...:10.01.01.14675

<https://www.schmalz.com/10.01.01.14675>

Home > Vacuum Technology for Automation > Vacuum Components > Vacuum Suction Cups > Suction Cups for the Electronics Industry > Suction Cups SFF / SFB1 > SFF 25 NBR-ESD-55 G1/8-IG

Flat suction cup (round) for dynamic handling of thin and flexible workpieces



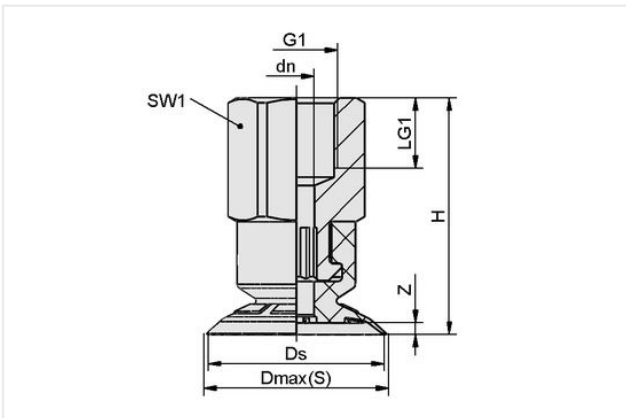
Size: 25

Suction cup material: Nitrile rubber NBR-ESD

Material hardness [Shore A]: 55 Shore A

Number of folds: 0

Design Data



| Attribute | Value |
|------------|----------|
| G1 | G1/8"-F |
| Dmax(S) | 26.50 mm |
| Ds | 25 mm |
| dn | 4 mm |
| LG1 | 8 mm |
| H | 27.20 mm |
| SW1 | 14 mm |
| Z (Stroke) | 1.70 mm |

Technical Data

| Attribute | Value |
|-----------------------------|------------------------|
| Size | 25 |
| Suction cup material | Nitrile rubber NBR-ESD |
| Suction force (-600mbar) | 18.50 N |
| Product family | SFF |
| Volume | 1.20 cm ³ |
| Number of folds | 0 |
| Material hardness [Shore A] | 55 Shore A |

Contact Schmalz

Schmalz Sp.z.o.o. | ul. Fabianowska 131/A1, 62-052 Komorniki, Poland | +48 61 628 67 70 | schmalz@schmalz.pl

Flat suction pad (round)

SFF 25 NBR-ESD-55 G1/8-IG

Part no...:10.01.01.14675

<https://www.schmalz.com/10.01.01.14675>

Spare parts



SFF 25 NBR-ESD-55 SC040

Part no...:10.01.01.14633

Size: 25

Suction cup material: Nitrile rubber NBR-ESD

Material hardness [Shore A]: 55 Shore A

Number of folds: 0



SC 040 G1/8-IG

Part no...:10.01.06.02482

Connection geometry: 040

Connection: G1/8"-F

Length L1: 20.7 mm

Fitting length: 14 mm

Nominal diameter dn: 4.1 mm