

Flat suction pad (round)

SFF 25 NBR-ESD-55 G1/8-AG

Part no...:10.01.01.14674

<https://www.schmalz.com/10.01.01.14674>

Home > Vacuum Technology for Automation > Vacuum Components > Vacuum Suction Cups > Suction Cups for the Electronics Industry > Suction Cups SFF / SFB1 > SFF 25 NBR-ESD-55 G1/8-AG

Flat suction cup (round) for dynamic handling of thin and flexible workpieces



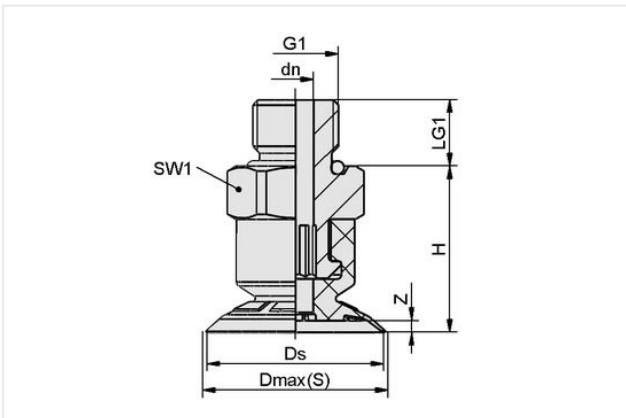
Size: 25

Suction cup material: Nitrile rubber NBR-ESD

Material hardness [Shore A]: 55 Shore A

Number of folds: 0

Design Data



Attribute	Value
G1	G1/8"-M
Dmax(S)	26.50 mm
Ds	25 mm
dn	4 mm
LG1	7.50 mm
H	19.20 mm
SW1	14 mm
Z (Stroke)	1.70 mm

Technical Data

Attribute	Value
Size	25
Suction cup material	Nitrile rubber NBR-ESD
Suction force (-600mbar)	18.50 N
Product family	SFF
Volume	1.20 cm ³
Number of folds	0
Material hardness [Shore A]	55 Shore A

Contact Schmalz

Schmalz Sp.z.o.o. | ul. Fabianowska 131/A1, 62-052 Komorniki, Poland | +48 61 628 67 70 | schmalz@schmalz.pl

Flat suction pad (round)

SFF 25 NBR-ESD-55 G1/8-AG

Part no...:10.01.01.14674

<https://www.schmalz.com/10.01.01.14674>

Spare parts



SFF 25 NBR-ESD-55 SC040

Part no...:10.01.01.14633

Size: 25

Suction cup material: Nitrile rubber NBR-ESD

Material hardness [Shore A]: 55 Shore A

Number of folds: 0



SC 040 G1/8-AG

Part no...:10.01.06.02490

Connection geometry: 040

Connection: G1/8"-M

Length L1: 20.2 mm

Fitting length: 6 mm

Nominal diameter dn: 4.1 mm