

## Flat suction pad (round)

SFF 20 NBR-ESD-55 G1/8-IG

Part no...:10.01.01.14673

<https://www.schmalz.com/10.01.01.14673>

Home > Vacuum Technology for Automation > Vacuum Components > Vacuum Suction Cups > Suction Cups for the Electronics Industry > Suction Cups SFF / SFB1 > SFF 20 NBR-ESD-55 G1/8-IG

### Flat suction cup (round) for dynamic handling of thin and flexible workpieces



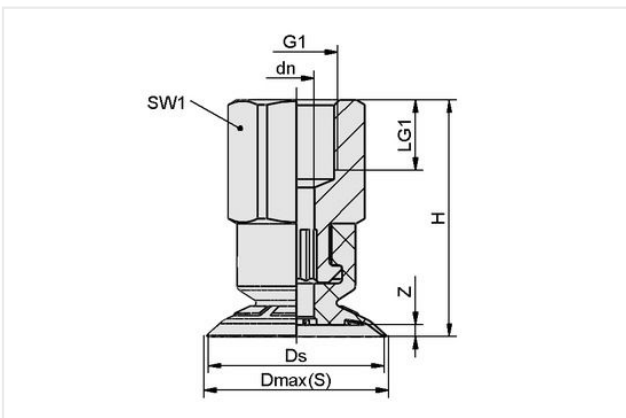
Size: 20

Suction cup material: Nitrile rubber NBR-ESD

Material hardness [Shore A]: 55 Shore A

Number of folds: 0

### Design Data



Attribute	Value
G1	G1/8"-F
Dmax(S)	21 mm
Ds	20 mm
dn	4 mm
LG1	8 mm
H	26.80 mm
SW1	14 mm
Z (Stroke)	1.30 mm

### Technical Data

Attribute	Value
Size	20
Suction cup material	Nitrile rubber NBR-ESD
Suction force (-600mbar)	11.60 N
Product family	SFF
Volume	0.80 cm <sup>3</sup>
Number of folds	0
Material hardness [Shore A]	55 Shore A

### Contact Schmalz

Schmalz Sp.z.o.o. | ul. Fabianowska 131/A1, 62-052 Komorniki, Poland | +48 61 628 67 70 | [schmalz@schmalz.pl](mailto:schmalz@schmalz.pl)

## Flat suction pad (round)

SFF 20 NBR-ESD-55 G1/8-IG

Part no...:10.01.01.14673

<https://www.schmalz.com/10.01.01.14673>

### Spare parts



#### SFF 20 NBR-ESD-55 SC040

Part no...:10.01.01.14631

Size: 20

Suction cup material: Nitrile rubber NBR-ESD

Material hardness [Shore A]: 55 Shore A

Number of folds: 0



#### SC 040 G1/8-IG

Part no...:10.01.06.02482

Connection geometry: 040

Connection: G1/8"-F

Length L1: 20.7 mm

Fitting length: 14 mm

Nominal diameter dn: 4.1 mm