

Flat suction cup (round)

SHFN 50 NK-45 G1/4-AG E

Part no...:10.01.01.14630

<https://www.schmalz.com/10.01.01.14630>

Home > Vacuum Technology for Automation > Vacuum Components > Vacuum Suction Cups > Suction Cups for Handling Wood > Flat Suction Cups
SHFN > SHFN 50 NK-45 G1/4-AG E

Flat suction cup (round) for highly dynamic handling of wood



Size: 50

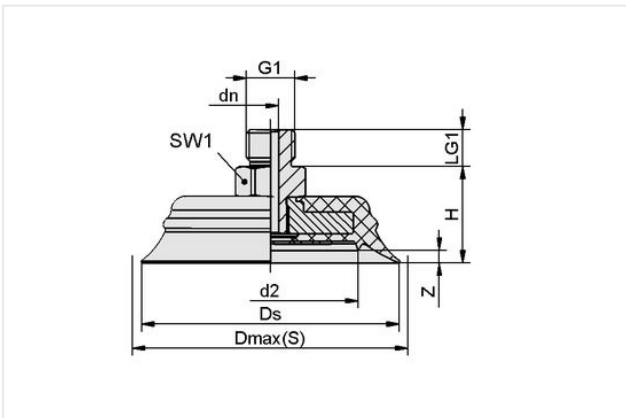
Suction cup material: Natural Rubber NK

Material hardness [Shore A]: 45 Shore A

Connection: G1/4-AG

Type: E

Design Data



Attribute	Value
d2	29.70 mm
dn	4.40 mm
Dmax(S)	54 mm
Ds	52 mm
G1	G1/4"-M
H	26.20 mm
LG1	10 mm
SW1	17 mm
Z (Stroke)	3.40 mm

Note: Acceptable dimensional tolerances for elastomer parts concerning to DIN ISO 3302-1 M3

Technical Data

Attribute	Value
Size	50
Suction cup material	Natural Rubber NK
Suction force d2	40 N
Suction force (-600mbar)	110 N
Lateral force	90 N
Volume	8 cm ³
Curve radius (min) (convex)	50 mm

Contact Schmalz

Schmalz Sp.z.o.o. | ul. Fabianowska 131/A1, 62-052 Komorniki, Poland | +48 61 628 67 70 | schmalz@schmalz.pl

Flat suction cup (round)

SHFN 50 NK-45 G1/4-AG E

Part no...:10.01.01.14630

<https://www.schmalz.com/10.01.01.14630>

Number of folds	0
Weight	30.80 g
Product family	SHFN

Note: Suction force: The specified suction forces are theoretical values at a vacuum of -0.6 bar and with a dry, smooth and flat workpiece surface - they do not include a safety factor Pull-off force: The pull-off force of the versions made of natural rubber is reduced by about 40% Hose diameter: The recommended hose diameter refers to a hose length of approx. 2 m

Accessories



SIEB 14.5x1 MS-A2 0.103/0.15

Part no...:10.05.03.00023

External diameter D: 14.5 mm

Length L: 1 mm

Material: Brass / Stainless steel

Spare parts



SHF 50 NK-45 M10x1.25-IG E

Part no...:10.01.01.14387

Size: 50

Thread G1: M10x1.25-F

Suction cup material: Natural Rubber NK

Material hardness [Shore A]: 45 Shore A

Type: E

Flat suction cup (round)

SHFN 50 NK-45 G1/4-AG E

Part no...:10.01.01.14630

<https://www.schmalz.com/10.01.01.14630>



RED-NIP G1/4-AG M10x1.25-AG AL

Part no...:10.01.01.12194

Thread G1: G1/4"-M

Material: Aluminum