

Flat suction pad (round)

SFF 20 SI-55 G1/4-AG

Part no...:10.01.01.14621

<https://www.schmalz.com/10.01.01.14621>

Home > Vacuum Technology for Automation > Vacuum Components > Vacuum Suction Cups > Suction Cups for Plastic Films and Paper > Suction Cups SFF / SFB1 > SFF 20 SI-55 G1/4-AG

Flat suction cup (round) for dynamic handling of thin and flexible workpieces



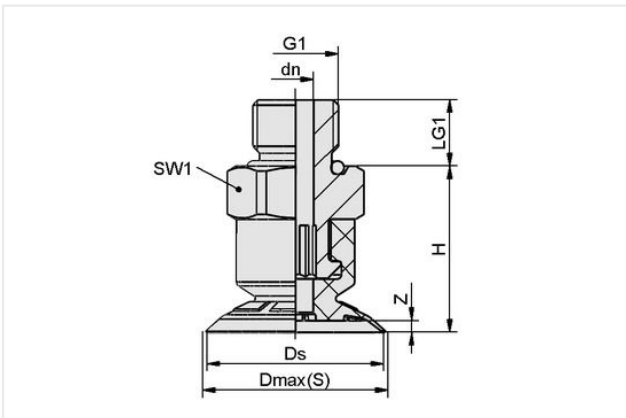
Size: 20

Suction cup material: Silicone SI

Material hardness [Shore A]: 55 Shore A

Material characteristics: FDA-compatible

Design Data



Attribute	Value
Dmax(S)	21 mm
Ds	20 mm
dn	4 mm
G1	G1/4-AG
LG1	10 mm
H	18.80 mm
SW1	17 mm
Z (Stroke)	1.30 mm

Technical Data

Attribute	Value
Suction force (-600mbar)	11.60 N
Volume	0.80 cm ³
Size	20
Number of folds	0
Suction cup material	Silicone SI
Material hardness [Shore A]	55 Shore A
Weight	8.60 g
Product family	SFF

Contact Schmalz

Schmalz Sp.z.o.o. | ul. Fabianowska 131/A1, 62-052 Komorniki, Poland | +48 61 628 67 70 | schmalz@schmalz.pl

Flat suction pad (round)

SFF 20 SI-55 G1/4-AG

Part no...:10.01.01.14621

<https://www.schmalz.com/10.01.01.14621>

Spare parts



SFF 20 SI-55 SC040

Part no...:10.01.01.13747

Size: 20

Suction cup material: Silicone SI

Material hardness [Shore A]: 55 Shore A

Number of folds: 0



SC 040 G1/4-AG

Part no...:10.01.06.03414

Connection geometry: 040

Vacuum connection: G1/4"-M

Fitting length: 6 mm

Nominal diameter dn: 4.1 mm