

Flat suction cup (round)

SFF 15 NBR-ESD-55 SC040

Part no...:10.01.01.14329

<https://www.schmalz.com/10.01.01.14329>

Home > Vacuum Technology for Automation > Vacuum Components > Vacuum Suction Cups > Suction Cups for Plastic Films and Paper > SFF 15 NBR-ESD-55 SC040

Flat suction cups (round) for the gentle handling of thin and flexible workpieces



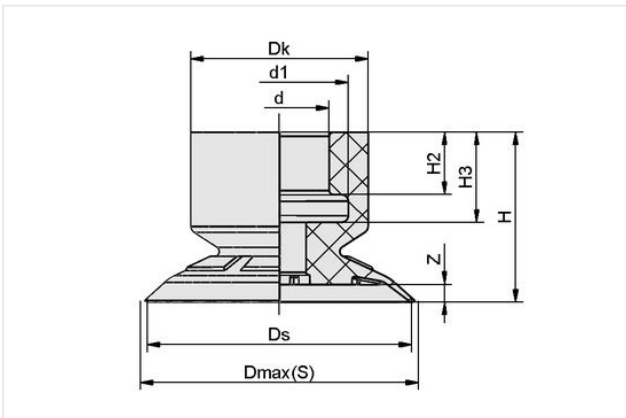
Size: 15

Suction cup material: Nitrile rubber NBR-ESD

Material hardness [Shore A]: 55 Shore A

Number of folds: 0

Design Data



| Attribute | Value |
|------------|----------|
| Dmax(S) | 16 mm |
| Dk | 13 mm |
| Ds | 15 mm |
| d | 7.50 mm |
| d1 | 10.40 mm |
| H | 12.50 mm |
| H2 | 4.70 mm |
| H3 | 6.80 mm |
| Z (Stroke) | 1 mm |

Technical Data

| Attribute | Value |
|-----------------------------|------------------------|
| Suction force (-600mbar) | 6.60 N |
| Volume | 0.60 cm ³ |
| Size | 15 |
| Number of folds | 0 |
| Suction cup material | Nitrile rubber NBR-ESD |
| Material hardness [Shore A] | 55 Shore A |
| Curve radius (min) (convex) | 12.50 mm |
| Nipple family | SC 040 |

Contact Schmalz

Schmalz Sp.z.o.o. | ul. Fabianowska 131/A1, 62-052 Komorniki, Poland | +48 61 628 67 70 | schmalz@schmalz.pl

Flat suction cup (round)

SFF 15 NBR-ESD-55 SC040

Part no...:10.01.01.14329

<https://www.schmalz.com/10.01.01.14329>

| | |
|----------------|--------|
| Weight | 0.90 g |
| Product family | SFF |

Accessories



SC 040 M5-AG

Part no...:10.01.06.04346

Connection geometry: 040

Vacuum connection: M5-M

Fitting length: 5 mm

Nominal diameter dn: 1.8 mm



SC 040 G1/8-AG

Part no...:10.01.06.02490

Connection geometry: 040

Connection: G1/8"-M

Length L1: 20.2 mm

Fitting length: 6 mm

Nominal diameter dn: 4.1 mm



SC 040 G1/8-IG

Part no...:10.01.06.02482

Connection geometry: 040

Connection: G1/8"-F

Length L1: 20.7 mm

Fitting length: 14 mm

Nominal diameter dn: 4.1 mm



Flat suction cup (round)

SFF 15 NBR-ESD-55 SC040

Part no...:10.01.01.14329

<https://www.schmalz.com/10.01.01.14329>

Contact Schmalz

Schmalz Sp.z.o.o. | ul. Fabianowska 131/A1, 62-052 Komorniki, Poland | +48 61 628 67 70 | schmalz@schmalz.pl