

Flat suction pad (round)

SFF 40 HT1-60 G1/4-AG

Part no...:10.01.01.14282

<https://www.schmalz.com/10.01.01.14282>

Home > Vacuum Technology for Automation > Vacuum Components > Vacuum Suction Cups > Suction Cups for the Electronics Industry > Suction Cups SFF / SFB1 > SFF 40 HT1-60 G1/4-AG

Flat suction cup (round) for dynamic handling of thin and flexible workpieces



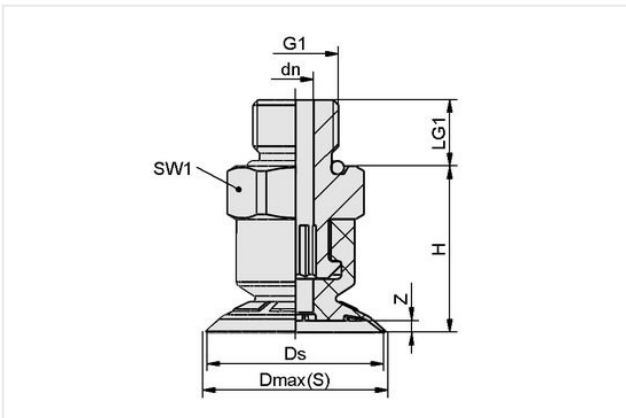
Size: 40

Suction cup material: High temp material HT1

Material hardness [Shore A]: 60 Shore A

Number of folds: 0

Design Data



Attribute	Value
G1	G1/4"-M
Dmax(S)	42 mm
Ds	40 mm
dn	4 mm
LG1	10 mm
H	26.20 mm
SW1	17 mm
Z (Stroke)	2.70 mm

Technical Data

Attribute	Value
Size	40
Suction cup material	High temp material HT1
Suction force (-600mbar)	48.60 N
Product family	SFF
Volume	4.30 cm ³
Number of folds	0
Material hardness [Shore A]	60 Shore A

Contact Schmalz

Schmalz Sp.z.o.o. | ul. Fabianowska 131/A1, 62-052 Komorniki, Poland | +48 61 628 67 70 | schmalz@schmalz.pl

Flat suction pad (round)

SFF 40 HT1-60 G1/4-AG

Part no...:10.01.01.14282

<https://www.schmalz.com/10.01.01.14282>

Spare parts



SFF 40 HT1-60 SC050

Part no...:10.01.01.14055

Size: 40

Suction cup material: High temp material HT1

Material hardness [Shore A]: 60 Shore A

Number of folds: 0



SC 050 G1/4-AG SW410

Part no...:10.01.06.04347

Connection geometry: 050

Vacuum connection: G1/4"-M

Fitting length: 7.2 mm

Nominal diameter dn: 4.1 mm