

## Flat suction pad (round)

SFF 20 EPDM-45 G1/8-AG

Part no...:10.01.01.14264

<https://www.schmalz.com/10.01.01.14264>

Home > Vacuum Technology for Automation > Vacuum Components > Vacuum Suction Cups > Suction Cups for Plastic Films and Paper > Suction Cups SFF / SFB1 > SFF 20 EPDM-45 G1/8-AG

### Flat suction cup (round) for dynamic handling of thin and flexible workpieces

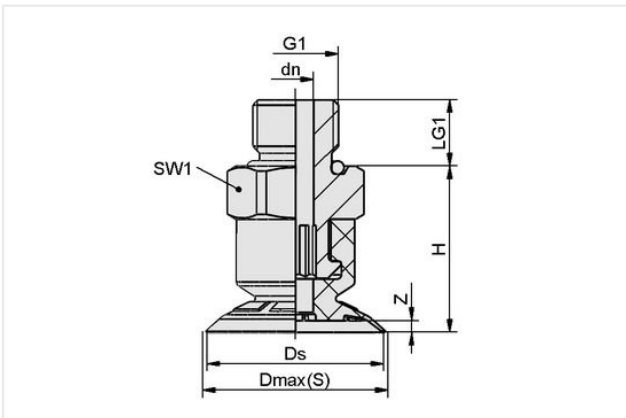


Size: 20

Suction cup material: EPDM

Material hardness [Shore A]: 45 Shore A

### Design Data



Attribute	Value
Dmax(S)	21 mm
Ds	20 mm
dn	4 mm
G1	G1/8-AG
LG1	7.50 mm
H	18.80 mm
SW1	14 mm
Z (Stroke)	1.30 mm

### Technical Data

Attribute	Value
Suction force (-600mbar)	11.60 N
Volume	0.80 cm <sup>3</sup>
Size	20
Number of folds	0
Suction cup material	EPDM
Material hardness [Shore A]	45 Shore A
Weight	5.70 g
Product family	SFF

### Contact Schmalz

Schmalz Sp.z.o.o. | ul. Fabianowska 131/A1, 62-052 Komorniki, Poland | +48 61 628 67 70 | [schmalz@schmalz.pl](mailto:schmalz@schmalz.pl)

## Flat suction pad (round)

SFF 20 EPDM-45 G1/8-AG

Part no...:10.01.01.14264

<https://www.schmalz.com/10.01.01.14264>

### Spare parts



#### SFF 20 EPDM-45 SC040

Part no...:10.01.01.14046

Size: 20

Suction cup material: EPDM

Material hardness [Shore A]: 45 Shore A

Number of folds: 0



#### SC 040 G1/8-AG

Part no...:10.01.06.02490

Connection geometry: 040

Connection: G1/8"-M

Length L1: 20.2 mm

Fitting length: 6 mm

Nominal diameter dn: 4.1 mm