

Flat suction pad (round)

SUF 6 SI-CO-55 M5-AG

Part no...:10.01.01.14243

<https://www.schmalz.com/10.01.01.14243>

Home > Vacuum Technology for Automation > Vacuum Components > Vacuum Suction Cups > Suction Cups for the Electronics Industry > Flat Suction Cups SUF > SUF 6 SI-CO-55 M5-AG

Flat suction cup (round) for process safe handling of smooth or slightly rough surfaces



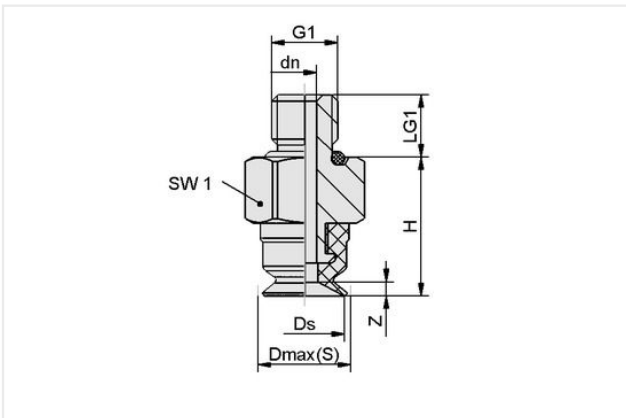
Size: 6

Suction cup material: Silicone SI-conductive

Material hardness [Shore A]: 55 Shore A

Vacuum connection: M5-M

Design Data



Attribute	Value
Dmax(S)	6.80 mm
Ds	6 mm
dn	1.80 mm
G1	M5-M
H	10.50 mm
LG1	4.70 mm
SW1	8 mm
Z (Stroke)	0.60 mm

Technical Data

Attribute	Value
Suction force (-600mbar)	1.40 N
Pull-off force	1.40 N
Volume	0.02 cm ³
Curve radius (min) (convex)	8 mm
Hose diameter (empf.) d	2 mm
Size	6
Suction cup material	Silicone SI-conductive
Material hardness [Shore A]	55 Shore A

Contact Schmalz

Schmalz Sp.z.o.o. | ul. Fabianowska 131/A1, 62-052 Komorniki, Poland | +48 61 628 67 70 | schmalz@schmalz.pl

Flat suction pad (round)

SUF 6 SI-CO-55 M5-AG

Part no...:10.01.01.14243

<https://www.schmalz.com/10.01.01.14243>

Weight	1 g
Product family	SUF
Number of folds	0

Note: Suction force: The specified suction forces are theoretical values at a vacuum of -0.6 bar and with a dry, smooth and flat workpiece surface - they do not include a safety factor
Hose diameter: The recommended hose diameter refers to a hose length of approx. 2 m

Spare parts



SC 020 M5-AG

Part no...:10.01.06.04273

Connection geometry: 020

Vacuum connection: M5-M

Fitting length: 5 mm

Nominal diameter dn: 1.8 mm



SUF 6 SI-CO-55 SC020

Part no...:10.01.01.14025

Size: 6

Material hardness [Shore A]: 55 Shore A