

Flat suction pad (round)

SUF 6 NBR-ESD-55 M5-IG

Part no.:10.01.01.14240

<https://www.schmalz.com/10.01.01.14240>

Home > Vacuum Technology for Automation > Vacuum Components > Vacuum Suction Cups > Suction Cups for the Electronics Industry > Flat Suction Cups SUF > SUF 6 NBR-ESD-55 M5-IG

Flat suction cup (round) for process safe handling of smooth or slightly rough surfaces



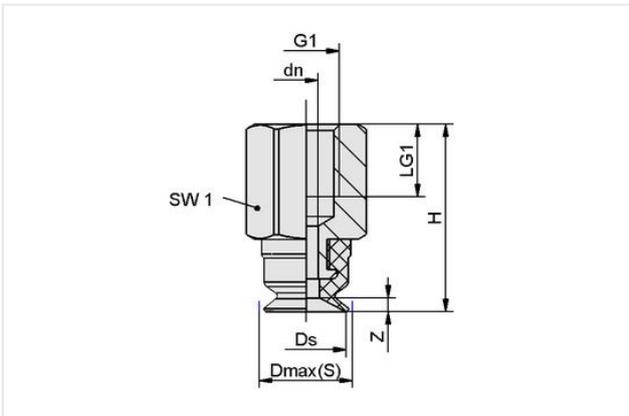
Size: 6

Suction cup material: Nitrile rubber NBR-ESD

Material hardness [Shore A]: 55 Shore A

Vacuum connection: M5-F

Design Data



Attribute	Value
Dmax(S)	6.80 mm
Ds	6 mm
dn	1.80 mm
G1	M5-F
H	14.20 mm
LG1	5.50 mm
SW1	8 mm
Z (Stroke)	0.60 mm

Technical Data

Attribute	Value
Suction force (-600mbar)	1.40 N
Pull-off force	1.40 N
Volume	0.02 cm ³
Curve radius (min) (convex)	8 mm
Hose diameter (empf.) d	2 mm
Size	6
Suction cup material	Nitrile rubber NBR-ESD
Material hardness [Shore A]	55 Shore A

Contact Schmalz

Schmalz Sp.z.o.o. | ul. Fabianowska 131/A1, 62-052 Komorniki, Poland | +48 61 628 67 70 | schmalz@schmalz.pl

Flat suction pad (round)

SUF 6 NBR-ESD-55 M5-IG

Part no...:10.01.01.14240

<https://www.schmalz.com/10.01.01.14240>

Weight	1.10 g
Product family	SUF
Number of folds	0

Note: Suction force: The specified suction forces are theoretical values at a vacuum of -0.6 bar and with a dry, smooth and flat workpiece surface - they do not include a safety factor
Hose diameter: The recommended hose diameter refers to a hose length of approx. 2 m

Spare parts



SC 020 M5-IG

Part no...:10.01.06.04306

Connection geometry: 020

Vacuum connection: M5-F

Fitting length: 8.7 mm

Nominal diameter dn: 1.8 mm



SUF 6 NBR-ESD-55 SC020

Part no...:10.01.01.14024

Size: 6

Suction cup material: Nitrile rubber NBR-ESD

Material hardness [Shore A]: 55 Shore A