

Flat suction pad (round)

SUF 5 NBR-ESD-55 M5-AG

Part no.:10.01.01.14236

<https://www.schmalz.com/10.01.01.14236>

Home > Vacuum Technology for Automation > Vacuum Components > Vacuum Suction Cups > Suction Cups for the Electronics Industry > Flat Suction Cups SUF > SUF 5 NBR-ESD-55 M5-AG

Flat suction cup (round) for process safe handling of smooth or slightly rough surfaces



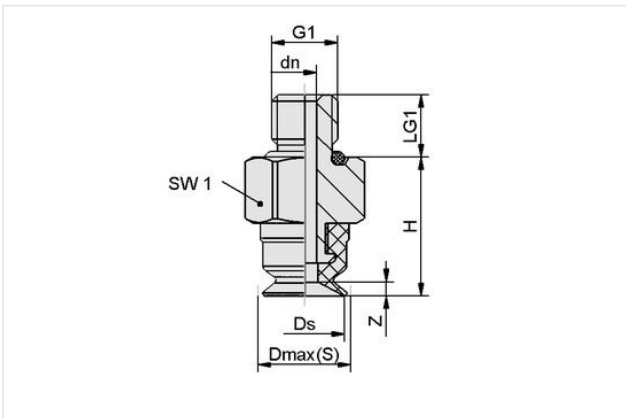
Size: 5

Suction cup material: Nitrile rubber NBR-ESD

Material hardness [Shore A]: 55 Shore A

Vacuum connection: M5-M

Design Data



| Attribute | Value |
|------------|----------|
| Dmax(S) | 5.70 mm |
| Ds | 5 mm |
| dn | 1.80 mm |
| G1 | M5-M |
| H | 10.50 mm |
| LG1 | 4.70 mm |
| SW1 | 8 mm |
| Z (Stroke) | 0.50 mm |

Technical Data

| Attribute | Value |
|-----------------------------|------------------------|
| Suction force (-600mbar) | 0.90 N |
| Pull-off force | 0.90 N |
| Volume | 0.01 cm ³ |
| Curve radius (min) (convex) | 8 mm |
| Hose diameter (empf.) d | 2 mm |
| Size | 5 |
| Suction cup material | Nitrile rubber NBR-ESD |
| Material hardness [Shore A] | 55 Shore A |

Contact Schmalz

Schmalz Sp.z.o.o. | ul. Fabianowska 131/A1, 62-052 Komorniki, Poland | +48 61 628 67 70 | schmalz@schmalz.pl

Flat suction pad (round)

SUF 5 NBR-ESD-55 M5-AG

Part no...:10.01.01.14236

<https://www.schmalz.com/10.01.01.14236>

| | |
|-----------------|-----|
| Weight | 1 g |
| Product family | SUF |
| Number of folds | 0 |

Note: Suction force: The specified suction forces are theoretical values at a vacuum of -0.6 bar and with a dry, smooth and flat workpiece surface - they do not include a safety factor
Hose diameter: The recommended hose diameter refers to a hose length of approx. 2 m

Spare parts



SC 020 M5-AG

Part no...:10.01.06.04273

Connection geometry: 020

Vacuum connection: M5-M

Fitting length: 5 mm

Nominal diameter dn: 1.8 mm



SUF 5 NBR-ESD-55 SC020

Part no...:10.01.01.14022

Size: 5

Suction cup material: Nitrile rubber NBR-ESD

Material hardness [Shore A]: 55 Shore A