

Flat suction pad (round)

SUF 1.5 HT1-60 M3-AG

Part no...:10.01.01.14207

<https://www.schmalz.com/10.01.01.14207>

Home > Vacuum Technology for Automation > Vacuum Components > Vacuum Suction Cups > Suction Cups for the Electronics Industry > Flat Suction Cups SUF > SUF 1.5 HT1-60 M3-AG

Flat suction cup (round) for process safe handling of smooth or slightly rough surfaces



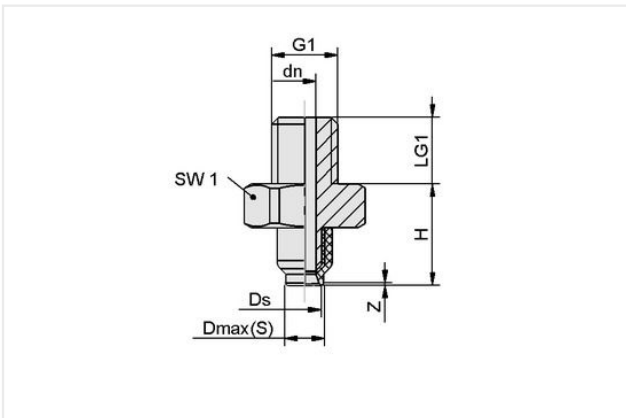
Size: 1.5

Suction cup material: High temp material HT1

Material hardness [Shore A]: 60 Shore A

Vacuum connection: M3-M

Design Data



Attribute	Value
Dmax(S)	1.70 mm
Ds	1.50 mm
dn	1 mm
G1	M3-M
H	4.60 mm
LG1	3 mm
SW1	5 mm
Z (Stroke)	0.10 mm

Technical Data

Attribute	Value
Suction force (-600mbar)	0.08 N
Pull-off force	0.08 N
Volume	0.00 cm ³
Curve radius (min) (convex)	2 mm
Hose diameter (empf.) d	2 mm
Size	1.50
Suction cup material	High temp material HT1
Material hardness [Shore A]	60 Shore A

Contact Schmalz

Schmalz Sp.z.o.o. | ul. Fabianowska 131/A1, 62-052 Komorniki, Poland | +48 61 628 67 70 | schmalz@schmalz.pl

Flat suction pad (round)

SUF 1.5 HT1-60 M3-AG

Part no...:10.01.01.14207

<https://www.schmalz.com/10.01.01.14207>

Weight	0.20 g
Product family	SUF
Number of folds	0

Note: Suction force: The specified suction forces are theoretical values at a vacuum of -0.6 bar and with a dry, smooth and flat workpiece surface - they do not include a safety factor
Hose diameter: The recommended hose diameter refers to a hose length of approx. 2 m

Spare parts



SC 010 M3-AG

Part no...:10.01.06.04249

Connection geometry: 010

Vacuum connection: M3-M

Fitting length: 2 mm

Nominal diameter dn: 1 mm



SUF 1.5 HT1-60 SC010

Part no...:10.01.01.13981

Size: 1.5

Suction cup material: High temp material HT1

Material hardness [Shore A]: 60 Shore A