

## Flat suction pad (round)

SUF 10 SI-CO-55 M5-AG

Part no...:10.01.01.14171

<https://www.schmalz.com/10.01.01.14171>

Home > Vacuum Technology for Automation > Vacuum Components > Vacuum Suction Cups > Suction Cups for the Electronics Industry > Flat Suction Cups SUF > SUF 10 SI-CO-55 M5-AG

### Flat suction cup (round) for process safe handling of smooth or slightly rough surfaces



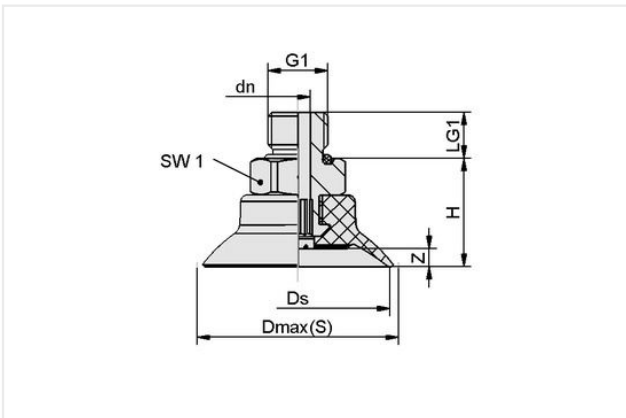
Size: 10

Suction cup material: Silicone SI-conductive

Material hardness [Shore A]: 55 Shore A

Vacuum connection: M5-M

### Design Data



Attribute	Value
Dmax(S)	11.20 mm
Ds	10 mm
dn	1.80 mm
G1	M5-M
H	13.40 mm
LG1	4.70 mm
SW1	8 mm
Z (Stroke)	1 mm

### Technical Data

Attribute	Value
Suction force (-600mbar)	4 N
Pull-off force	4 N
Volume	0.07 cm <sup>3</sup>
Curve radius (min) (convex)	12.50 mm
Hose diameter (empf.) d	2 mm
Size	10
Suction cup material	Silicone SI-conductive
Material hardness [Shore A]	55 Shore A

### Contact Schmalz

Schmalz Sp.z.o.o. | ul. Fabianowska 131/A1, 62-052 Komorniki, Poland | +48 61 628 67 70 | [schmalz@schmalz.pl](mailto:schmalz@schmalz.pl)

## Flat suction pad (round)

SUF 10 SI-CO-55 M5-AG

Part no...:10.01.01.14171

<https://www.schmalz.com/10.01.01.14171>

Weight	1.60 g
Product family	SUF
Number of folds	0

Note: Suction force: The specified suction forces are theoretical values at a vacuum of -0.6 bar and with a dry, smooth and flat workpiece surface - they do not include a safety factor  
Hose diameter: The recommended hose diameter refers to a hose length of approx. 2 m

### Spare parts



#### SC 030 M5-AG

Part no...:10.01.06.02802

Connection geometry: 030

Connection: M5-M

Length L1: 15.5 mm

Fitting length: 5 mm

Nominal diameter dn: 1.8 mm



#### SUF 10 SI-CO-55 SC030

Part no...:10.01.01.14029

Size: 10

Material hardness [Shore A]: 55 Shore A