

## Flat suction cup (round)

SFF 25 HT1-60 SC040

Part no...:10.01.01.14053

<https://www.schmalz.com/10.01.01.14053>

Home > Vacuum Technology for Automation > Vacuum Components > Vacuum Suction Cups > Suction Cups for Plastic Films and Paper > SFF 25 HT1-60 SC040

### Flat suction cups (round) for the gentle handling of thin and flexible workpieces



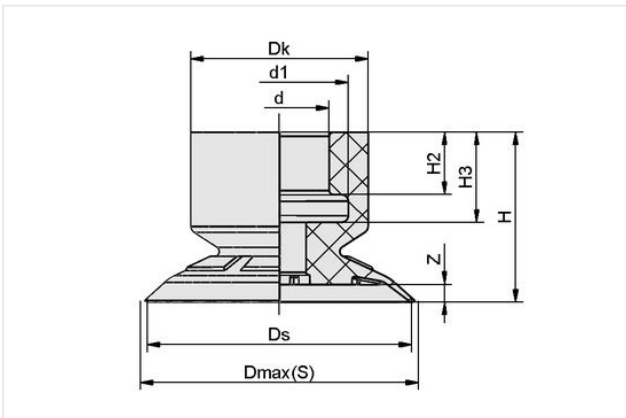
Size: 25

Suction cup material: High temp material HT1

Material hardness [Shore A]: 60 Shore A

Number of folds: 0

### Design Data



Attribute	Value
Dmax(S)	26.50 mm
Dk	13.80 mm
Ds	25 mm
d	7.50 mm
d1	10.40 mm
H	13.20 mm
H2	4.70 mm
H3	6.80 mm
Z (Stroke)	1.70 mm

### Technical Data

Attribute	Value
Suction force (-600mbar)	18.50 N
Volume	1.15 cm <sup>3</sup>
Size	25
Number of folds	0
Suction cup material	High temp material HT1
Material hardness [Shore A]	60 Shore A
Curve radius (min) (convex)	25 mm
Nipple family	SC 040

### Contact Schmalz

Schmalz Sp.z.o.o. | ul. Fabianowska 131/A1, 62-052 Komorniki, Poland | +48 61 628 67 70 | [schmalz@schmalz.pl](mailto:schmalz@schmalz.pl)

## Flat suction cup (round)

SFF 25 HT1-60 SC040

Part no.:10.01.01.14053

<https://www.schmalz.com/10.01.01.14053>

Weight	1.80 g
Product family	SFF

### Accessories



#### SC 040 G1/8-AG

Part no.:10.01.06.02490

Connection geometry: 040

Connection: G1/8"-M

Length L1: 20.2 mm

Fitting length: 6 mm

Nominal diameter dn: 4.1 mm



#### SC 040 G1/8-IG

Part no.:10.01.06.02482

Connection geometry: 040

Connection: G1/8"-F

Length L1: 20.7 mm

Fitting length: 14 mm

Nominal diameter dn: 4.1 mm

### Spare parts

#### Contact Schmalz

Schmalz Sp.z.o.o. | ul. Fabianowska 131/A1, 62-052 Komorniki, Poland | +48 61 628 67 70 | [schmalz@schmalz.pl](mailto:schmalz@schmalz.pl)

## Flat suction cup (round)

SFF 25 HT1-60 SC040

Part no...:10.01.01.14053

<https://www.schmalz.com/10.01.01.14053>



### SC 040 M5-AG

Part no...:10.01.06.04346

Connection geometry: 040

Vacuum connection: M5-M

Fitting length: 5 mm

Nominal diameter dn: 1.8 mm