

## Flat suction cup (round)

SFF 10 EPDM-45 SC030

Part no...:10.01.01.14044

<https://www.schmalz.com/10.01.01.14044>

Home > Vacuum Technology for Automation > Vacuum Components > Vacuum Suction Cups > Suction Cups for Plastic Films and Paper > SFF 10 EPDM-45 SC030

### Flat suction cups (round) for the gentle handling of thin and flexible workpieces



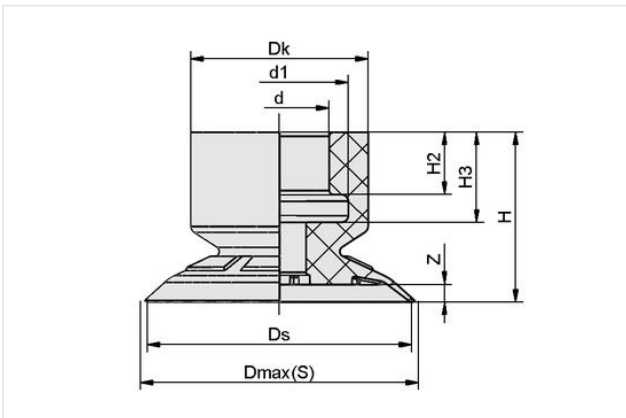
Size: 10

Suction cup material: EPDM

Material hardness [Shore A]: 45 Shore A

Number of folds: 0

### Design Data



Attribute	Value
Dmax(S)	11 mm
Dk	9.30 mm
Ds	10 mm
d	5.50 mm
d1	7.30 mm
H	10.40 mm
H2	4.20 mm
H3	5.90 mm
Z (Stroke)	0.70 mm

### Technical Data

Attribute	Value
Suction force (-600mbar)	2.70 N
Volume	0.25 cm <sup>3</sup>
Size	10
Number of folds	0
Suction cup material	EPDM
Material hardness [Shore A]	45 Shore A
Curve radius (min) (convex)	8 mm
Nipple family	SC 030

### Contact Schmalz

Schmalz Sp.z.o.o. | ul. Fabianowska 131/A1, 62-052 Komorniki, Poland | +48 61 628 67 70 | [schmalz@schmalz.pl](mailto:schmalz@schmalz.pl)

## Flat suction cup (round)

SFF 10 EPDM-45 SC030

Part no...:10.01.01.14044

<https://www.schmalz.com/10.01.01.14044>

Weight	0.40 g
Product family	SFF

### Accessories



#### SC 030 M5-AG

Part no...:10.01.06.02802

Connection geometry: 030

Connection: M5-M

Length L1: 15.5 mm

Fitting length: 5 mm

Nominal diameter dn: 1.8 mm