

Flat suction cup (round)

SUF 15 NBR-ESD-55 SC030

Part no...:10.01.01.14032

<https://www.schmalz.com/10.01.01.14032>

Home > Vacuum Technology for Automation > Vacuum Components > Vacuum Suction Cups > Flat Suction Cups (Round) > SUF 15 NBR-ESD-55 SC030

Flat suction cup (round) f. process- safe handling of smooth or slightly rough surfaces

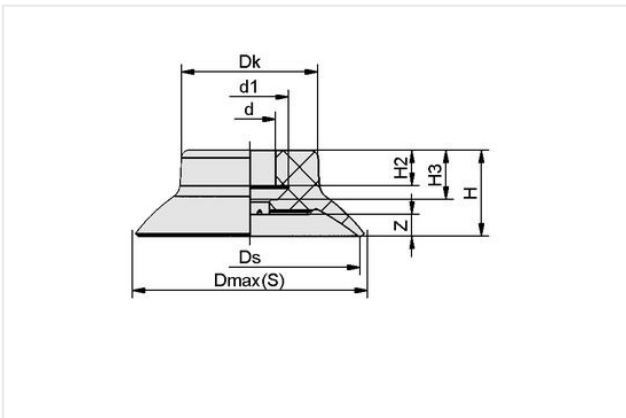


Size: 15

Suction cup material: Nitrile rubber NBR-ESD

Material hardness [Shore A]: 55 Shore A

Design Data



Attribute	Value
d1	7.30 mm
d	5.30 mm
Dk	9.80 mm
Dmax(S)	16.80 mm
Ds	15 mm
H	8.90 mm
H2	4.30 mm
H3	5.80 mm
Z (Stroke)	1.50 mm

Technical Data

Attribute	Value
Suction force (-600mbar)	9 N
Pull-off force	9 N
Volume	0.22 cm ³
Curve radius (min) (convex)	20 mm
Size	15
Nipple family	SC030
Suction cup material	Nitrile rubber NBR-ESD
Material hardness [Shore A]	55 Shore A

Contact Schmalz

Schmalz Sp.z.o.o. | ul. Fabianowska 131/A1, 62-052 Komorniki, Poland | +48 61 628 67 70 | schmalz@schmalz.pl

Flat suction cup (round)

SUF 15 NBR-ESD-55 SC030

Part no...:10.01.01.14032

<https://www.schmalz.com/10.01.01.14032>

Weight	0.70 g
Product family	SUF

Accessories



SC 030 G1/8-AG

Part no...:10.01.06.04288

Connection geometry: 030

Vacuum connection: G1/8"-M

Fitting length: 6 mm

Nominal diameter dn: 3.1 mm



SC 030 G1/8-IG

Part no...:10.01.06.04307

Connection geometry: 030

Vacuum connection: G1/8"-F

Fitting length: 14 mm

Nominal diameter dn: 3.1 mm