

Flat suction cup (round)

SUF 25 HT1-60 SC040

Part no...:10.01.01.13992

<https://www.schmalz.com/10.01.01.13992>

Home > Vacuum Technology for Automation > Vacuum Components > Vacuum Suction Cups > Flat Suction Cups (Round) > SUF 25 HT1-60 SC040

Flat suction cup (round) f. process- safe handling of smooth or slightly rough surfaces

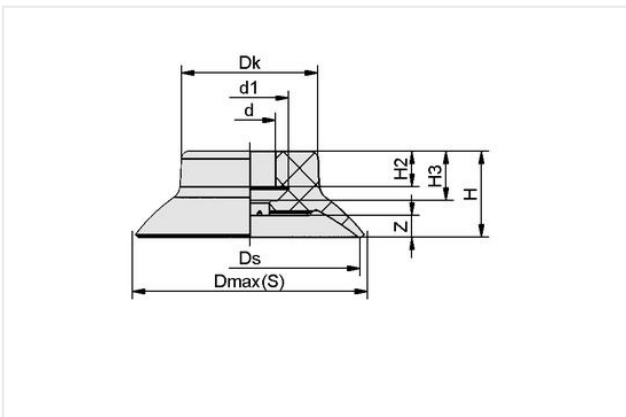


Size: 25

Suction cup material: High temp material HT1

Material hardness [Shore A]: 60 Shore A

Design Data



| Attribute | Value |
|------------|----------|
| d1 | 10.50 mm |
| d | 7 mm |
| Dk | 15.50 mm |
| Dmax(S) | 28.20 mm |
| Ds | 25 mm |
| H | 11.20 mm |
| H2 | 4.80 mm |
| H3 | 6.70 mm |
| Z (Stroke) | 2.50 mm |

Technical Data

| Attribute | Value |
|-----------------------------|------------------------|
| Suction force (-600mbar) | 23 N |
| Pull-off force | 23 N |
| Volume | 0.90 cm ³ |
| Curve radius (min) (convex) | 25 mm |
| Size | 25 |
| Nipple family | SC040 |
| Suction cup material | High temp material HT1 |
| Material hardness [Shore A] | 60 Shore A |
| Weight | 2.50 g |

Contact Schmalz

Schmalz Sp.z.o.o. | ul. Fabianowska 131/A1, 62-052 Komorniki, Poland | +48 61 628 67 70 | schmalz@schmalz.pl

Flat suction cup (round)

SUF 25 HT1-60 SC040

Part no...:10.01.01.13992

<https://www.schmalz.com/10.01.01.13992>

Product family

SUF

Accessories



SC 040 G1/8-AG

Part no...:10.01.06.02490

Connection geometry: 040

Connection: G1/8"-M

Length L1: 20.2 mm

Fitting length: 6 mm

Nominal diameter dn: 4.1 mm



SC 040 G1/8-IG

Part no...:10.01.06.02482

Connection geometry: 040

Connection: G1/8"-F

Length L1: 20.7 mm

Fitting length: 14 mm

Nominal diameter dn: 4.1 mm