

Flat suction cup (round)

SUF 30 SI-55 SC040

Part no...:10.01.01.13971

<https://www.schmalz.com/10.01.01.13971>

Home > Vacuum Technology for Automation > Vacuum Components > Vacuum Suction Cups > Flat Suction Cups (Round) > SUF 30 SI-55 SC040

Flat suction cup (round) f. process- safe handling of smooth or slightly rough surfaces



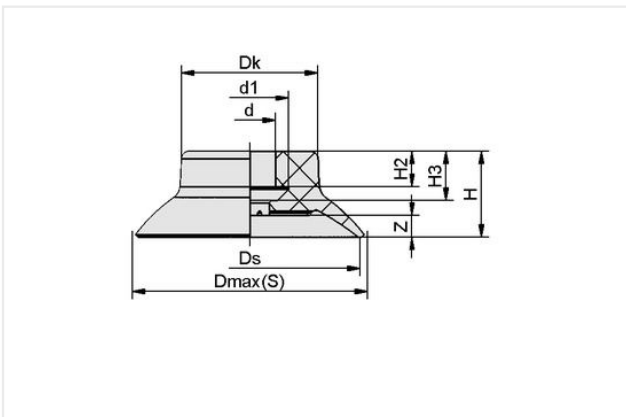
Size: 30

Suction cup material: Silicone SI

Material characteristics: FDA-compatible

Material hardness [Shore A]: 55 Shore A

Design Data



Attribute	Value
d1	10.50 mm
d	7 mm
Dk	18.60 mm
Dmax(S)	33.30 mm
Ds	30 mm
H	11.70 mm
H2	4.80 mm
H3	6.70 mm
Z (Stroke)	3 mm

Technical Data

Attribute	Value
Suction force (-600mbar)	34 N
Pull-off force	34 N
Volume	1.60 cm ³
Curve radius (min) (convex)	35 mm
Size	30
Nipple family	SC040
Suction cup material	Silicone SI
Material hardness [Shore A]	55 Shore A
Weight	4 g

Contact Schmalz

Schmalz Sp.z.o.o. | ul. Fabianowska 131/A1, 62-052 Komorniki, Poland | +48 61 628 67 70 | schmalz@schmalz.pl

Flat suction cup (round)

SUF 30 SI-55 SC040

Part no...:10.01.01.13971

<https://www.schmalz.com/10.01.01.13971>

Product family

SUF

Accessories



SC 040 G1/8-AG

Part no...:10.01.06.02490

Connection geometry: 040

Connection: G1/8"-M

Length L1: 20.2 mm

Fitting length: 6 mm

Nominal diameter dn: 4.1 mm



SC 040 G1/8-IG

Part no...:10.01.06.02482

Connection geometry: 040

Connection: G1/8"-F

Length L1: 20.7 mm

Fitting length: 14 mm

Nominal diameter dn: 4.1 mm