

## Flat suction cup (round)

SUF 1.5 SI-55 SC010

Part no...:10.01.01.13959

<https://www.schmalz.com/10.01.01.13959>

Home > Vacuum Technology for Automation > Vacuum Components > Vacuum Suction Cups > Flat Suction Cups (Round) > SUF 1.5 SI-55 SC010

### Flat suction cup (round) f. process- safe handling of smooth or slightly rough surfaces



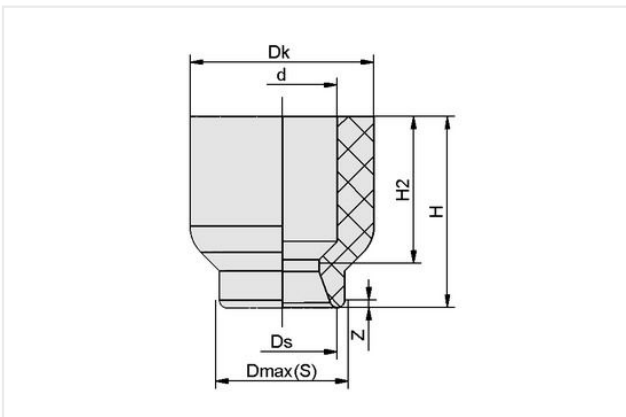
Size: 1.5

Suction cup material: Silicone SI

Material characteristics: FDA-compatible

Material hardness [Shore A]: 55 Shore A

### Design Data



Attribute	Value
d	1.50 mm
Dk	2.50 mm
Dmax(S)	1.70 mm
Ds	1.50 mm
H	2.60 mm
H2	2 mm
Z (Stroke)	0.10 mm

### Technical Data

Attribute	Value
Suction force (-600mbar)	0.08 N
Pull-off force	0.08 N
Volume	0.00 cm <sup>3</sup>
Curve radius (min) (convex)	2 mm
Size	1.50
Nipple family	SC010
Suction cup material	Silicone SI
Material hardness [Shore A]	55 Shore A
Weight	0 g

### Contact Schmalz

Schmalz Sp.z.o.o. | ul. Fabianowska 131/A1, 62-052 Komorniki, Poland | +48 61 628 67 70 | [schmalz@schmalz.pl](mailto:schmalz@schmalz.pl)

## Flat suction cup (round)

SUF 1.5 SI-55 SC010

Part no...:10.01.01.13959

<https://www.schmalz.com/10.01.01.13959>

Product family

SUF

### Accessories



#### SC 010 M3-AG

Part no...:10.01.06.04249

Connection geometry: 010

Vacuum connection: M3-M

Fitting length: 2 mm

Nominal diameter dn: 1 mm