

Flat suction cup (round)

SUF 1 SI-55 SC010

Part no...:10.01.01.13958

<https://www.schmalz.com/10.01.01.13958>

Home > Vacuum Technology for Automation > Vacuum Components > Vacuum Suction Cups > Flat Suction Cups (Round) > SUF 1 SI-55 SC010

Flat suction cup (round) f. process- safe handling of smooth or slightly rough surfaces



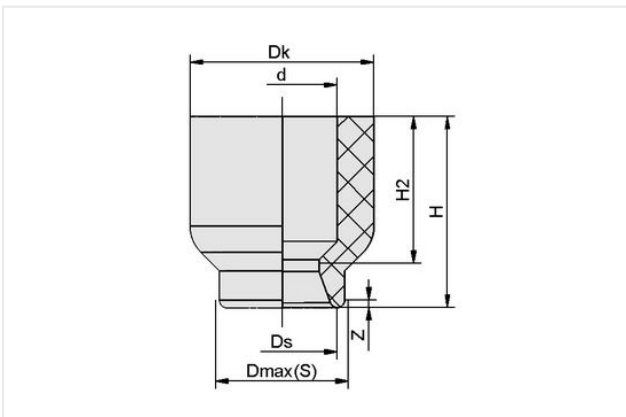
Size: 1

Suction cup material: Silicone SI

Material characteristics: FDA-compatible

Material hardness [Shore A]: 55 Shore A

Design Data



| Attribute | Value |
|------------|---------|
| d | 1.50 mm |
| Dk | 2.50 mm |
| Dmax(S) | 1.10 mm |
| Ds | 1 mm |
| H | 2.60 mm |
| H2 | 2 mm |
| Z (Stroke) | 0.10 mm |

Technical Data

| Attribute | Value |
|-----------------------------|-------------------|
| Suction force (-600mbar) | 0.03 N |
| Pull-off force | 0.03 N |
| Volume | 0 cm ³ |
| Curve radius (min) (convex) | 2 mm |
| Size | 1 |
| Nipple family | SC010 |
| Suction cup material | Silicone SI |
| Material hardness [Shore A] | 55 Shore A |
| Weight | 0 g |

Contact Schmalz

Schmalz Sp.z.o.o. | ul. Fabianowska 131/A1, 62-052 Komorniki, Poland | +48 61 628 67 70 | schmalz@schmalz.pl

Flat suction cup (round)

SUF 1 SI-55 SC010

Part no...:10.01.01.13958

<https://www.schmalz.com/10.01.01.13958>

Product family

SUF

Accessories



SC 010 M3-AG

Part no...:10.01.06.04249

Connection geometry: 010

Vacuum connection: M3-M

Fitting length: 2 mm

Nominal diameter dn: 1 mm