

## Flat suction cup (round)

SUF 25 NBR-55 SC040

Part no...:10.01.01.13948

<https://www.schmalz.com/10.01.01.13948>

Home > Vacuum Technology for Automation > Vacuum Components > Vacuum Suction Cups > Flat Suction Cups (Round) > SUF 25 NBR-55 SC040

### Flat suction cup (round) f. process- safe handling of smooth or slightly rough surfaces

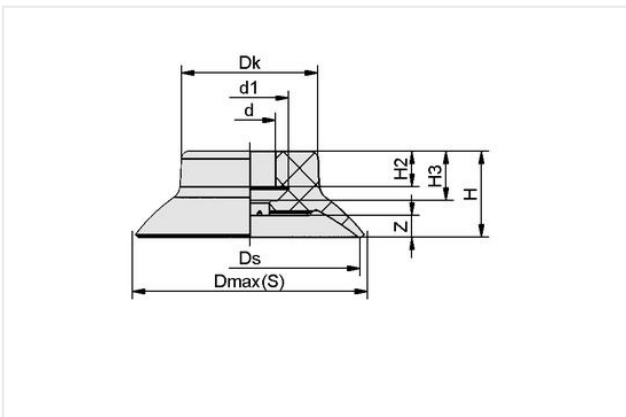


Size: 25

Suction cup material: Nitrile rubber NBR

Material hardness [Shore A]: 55 Shore A

### Design Data



Attribute	Value
d1	10.50 mm
d	7 mm
Dk	15.50 mm
Dmax(S)	28.20 mm
Ds	25 mm
H	11.20 mm
H2	4.80 mm
H3	6.70 mm
Z (Stroke)	2.50 mm

### Technical Data

Attribute	Value
Suction force (-600mbar)	23 N
Pull-off force	23 N
Volume	0.90 cm <sup>3</sup>
Curve radius (min) (convex)	25 mm
Size	25
Nipple family	SC040
Suction cup material	Nitrile rubber NBR
Material hardness [Shore A]	55 Shore A
Weight	2.50 g

### Contact Schmalz

Schmalz Sp.z.o.o. | ul. Fabianowska 131/A1, 62-052 Komorniki, Poland | +48 61 628 67 70 | [schmalz@schmalz.pl](mailto:schmalz@schmalz.pl)

## Flat suction cup (round)

SUF 25 NBR-55 SC040

Part no...:10.01.01.13948

<https://www.schmalz.com/10.01.01.13948>

Product family

SUF

### Accessories



#### SC 040 G1/8-AG

Part no...:10.01.06.02490

Connection geometry: 040

Connection: G1/8"-M

Length L1: 20.2 mm

Fitting length: 6 mm

Nominal diameter dn: 4.1 mm



#### SC 040 G1/8-IG

Part no...:10.01.06.02482

Connection geometry: 040

Connection: G1/8"-F

Length L1: 20.7 mm

Fitting length: 14 mm

Nominal diameter dn: 4.1 mm