

Flat suction cup (round)

SFF 40 SI-55 SC050

Part no...:10.01.01.13750

<https://www.schmalz.com/10.01.01.13750>

Home > Vacuum Technology for Automation > Vacuum Components > Vacuum Suction Cups > Suction Cups for Plastic Films and Paper > SFF 40 SI-55 SC050

Flat suction cups (round) for the gentle handling of thin and flexible workpieces



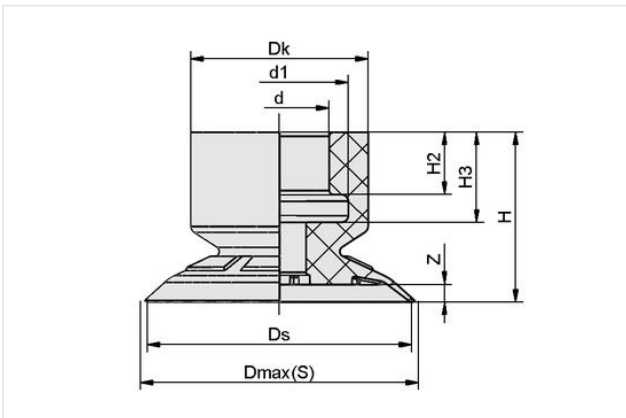
Size: 40

Suction cup material: Silicone SI

Material hardness [Shore A]: 55 Shore A

Number of folds: 0

Design Data



Attribute	Value
Dmax(S)	42 mm
Dk	21.90 mm
Ds	40 mm
d	11.40 mm
d1	17.10 mm
H	19 mm
H2	6.60 mm
H3	9.50 mm
Z (Stroke)	2.70 mm

Technical Data

Attribute	Value
Suction force (-600mbar)	48.60 N
Volume	4.33 cm ³
Size	40
Number of folds	0
Suction cup material	Silicone SI
Material hardness [Shore A]	55 Shore A
Curve radius (min) (convex)	45 mm
Nipple family	SC 050

Contact Schmalz

Schmalz Sp.z.o.o. | ul. Fabianowska 131/A1, 62-052 Komorniki, Poland | +48 61 628 67 70 | schmalz@schmalz.pl

Flat suction cup (round)

SFF 40 SI-55 SC050

Part no.:10.01.01.13750

<https://www.schmalz.com/10.01.01.13750>

Weight	6.70 g
Product family	SFF

Accessories



SC 050 G1/4-AG SW410

Part no.:10.01.06.04347

Connection geometry: 050

Vacuum connection: G1/4"-M

Fitting length: 7.2 mm

Nominal diameter dn: 4.1 mm



SC 050 G1/4-IG SW410

Part no.:10.01.06.04348

Connection geometry: 050

Vacuum connection: G1/4"-F

Fitting length: 17.2 mm

Nominal diameter dn: 4.1 mm