

## Flat suction cup (round)

SHFN 70 NK-45 G1/4-AG E MOS

Part no...:10.01.01.12217

<https://www.schmalz.com/10.01.01.12217>

Home > Vacuum Technology for Automation > Vacuum Components > Vacuum Suction Cups > Suction Cups for Handling Wood > Flat Suction Cups  
SHFN > SHFN 70 NK-45 G1/4-AG E MOS

### Flat suction cup (round) for highly dynamic handling of wood



Size: 70

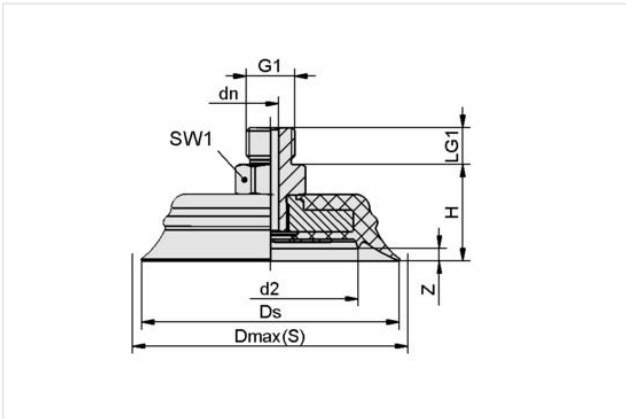
Suction cup material: Natural Rubber NK

Material hardness [Shore A]: 45 Shore A

Connection: G1/4-AG

Type: E

### Design Data



Attribute	Value
d2	36 mm
dn	4.40 mm
Dmax(S)	74 mm
Ds	70 mm
G1	G1/4"-M
H	26.20 mm
LG1	12.40 mm
SW1	17 mm
Z (Stroke)	4 mm

Note: Acceptable dimensional tolerances for elastomer parts concerning to DIN ISO 3302-1 M3

### Technical Data

Attribute	Value
Size	70
Suction cup material	Natural Rubber NK
Suction force d2	100 N
Suction force (-600mbar)	200 N
Lateral force	145 N
Volume	16 cm <sup>3</sup>
Curve radius (min) (convex)	95 mm

### Contact Schmalz

Schmalz Sp.z.o.o. | ul. Fabianowska 131/A1, 62-052 Komorniki, Poland | +48 61 628 67 70 | [schmalz@schmalz.pl](mailto:schmalz@schmalz.pl)

## Flat suction cup (round)

SHFN 70 NK-45 G1/4-AG E MOS

Part no...:10.01.01.12217

<https://www.schmalz.com/10.01.01.12217>

Hose diameter (empf.) d	6 mm
Number of folds	0
Weight	62 g
Product family	SHFN

Note: Suction force: The specified suction forces are theoretical values at a vacuum of -0.6 bar and with a dry, smooth and flat workpiece surface - they do not include a safety factor Pull-off force: The pull-off force of the versions made of natural rubber is reduced by about 40% Hose diameter: The recommended hose diameter refers to a hose length of approx. 2 m

### Accessories



#### SIEB 14.5x1 MS-A2 0.103/0.15

Part no...:10.05.03.00023

External diameter D: 14.5 mm

Length L: 1 mm

Material: Brass / Stainless steel

### Spare parts



#### RED-NIP G1/4-AG M10x1.25-AG AL

Part no...:10.01.01.12194

Thread G1: G1/4"-M

Material: Aluminum

## Flat suction cup (round)

SHFN 70 NK-45 G1/4-AG E MOS

Part no...:10.01.01.12217

<https://www.schmalz.com/10.01.01.12217>



### DR 46/36x5 S05 EPDM-15 KE

Part no...:10.01.06.01678

External diameter D: 46 mm

Internal diameter d: 36 mm

Height H: 5 mm

Material type: Foam S, Height 5 mm

Sealing material: EPDM

Material hardness [Shore A]: 15 Shore A

Add. function: Adhesive tape on one side