

Flat suction cup (round)

SHF 50 NK-45 N041 MOS

Part no...:10.01.01.11688

<https://www.schmalz.com/10.01.01.11688>

Home > Vacuum Technology for Automation > Vacuum Components > Vacuum Suction Cups > Suction Cups for Handling Wood > SHF 50 NK-45 N041 MOS

Flat suction cup (round) for highly dynamic handling of wood

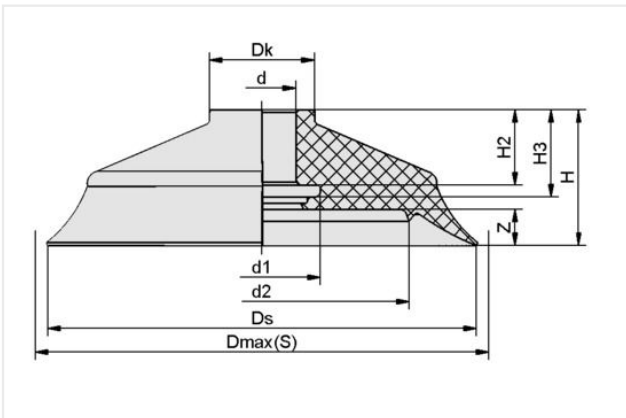


Size: 50

Suction cup material: Natural Rubber NK

Material hardness [Shore A]: 45 Shore A

Design Data



Attribute	Value
d	7.50 mm
d1	17 mm
d2	21 mm
Dk	17 mm
Dmax(S)	55 mm
Ds	52 mm
H	22.20 mm
H2	12.80 mm
H3	14.30 mm
Z (Stroke)	3 mm

Note: Acceptable dimensional tolerances for elastomer parts concerning to DIN ISO 3302-1 M3

Technical Data

Attribute	Value
Size	50
Nipple family	N 041
Number of folds	0
Lateral force	95 N
Suction force (-600mbar)	90 N
Suction cup material	Natural Rubber NK
Volume	7.24 cm ³

Contact Schmalz

Schmalz Sp.z.o.o. | ul. Fabianowska 131/A1, 62-052 Komorniki, Poland | +48 61 628 67 70 | schmalz@schmalz.pl

Flat suction cup (round)

SHF 50 NK-45 N041 MOS

Part no...:10.01.01.11688

<https://www.schmalz.com/10.01.01.11688>

Curve radius (min) (convex)	41 mm
Weight	15.70 g
Product family	SHF

Accessories



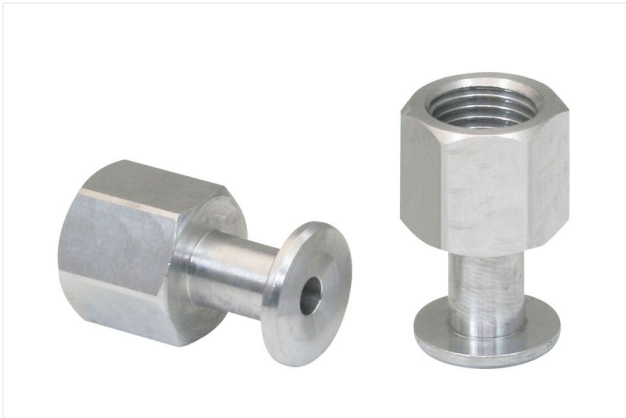
SA-NIP N041 G1/4-AG DN440

Part no...:10.01.01.11772

Thread G1: G1/4"-M

Fitting length: 4 mm

Material: Aluminum



SA-NIP N041 G1/4-IG DN440

Part no...:10.01.01.11822

Thread G1: G1/4"-F

Fitting length: 15 mm

Material: Aluminum



SIEB 15x0.8 MS-A2 0.103/0.07

Part no...:10.07.01.00211

External diameter D: 15 mm

Length L: 0.8 mm

Material: Brass / Stainless steel

Contact Schmalz

Schmalz Sp.z.o.o. | ul. Fabianowska 131/A1, 62-052 Komorniki, Poland | +48 61 628 67 70 | schmalz@schmalz.pl

Flat suction cup (round)

SHF 50 NK-45 N041 MOS

Part no...:10.01.01.11688

<https://www.schmalz.com/10.01.01.11688>



TVN G1/4-AG 8.4 N041

Part no...:10.05.10.00058

Thread G1: G1/4"-M

Spring stroke Z: 8.4 mm

Nipple: N 041

Spare parts



DR 28/21x3 C03 EPDM-15 KE

Part no...:10.01.06.01679

External diameter D: 28 mm

Internal diameter d: 21 mm

Height H: 3 mm

Material type: Foam C, Height 3 mm

Sealing material: EPDM

Material hardness [Shore A]: 15 Shore A

Add. function: Adhesive tape on one side