

## Flat suction cup (round)

SHF 70 NK-45 N041

Part no...:10.01.01.11682

<https://www.schmalz.com/10.01.01.11682>

Home > Vacuum Technology for Automation > Vacuum Components > Vacuum Suction Cups > Suction Cups for Handling Wood > SHF 70 NK-45 N041

### Flat suction cup (round) for highly dynamic handling of wood

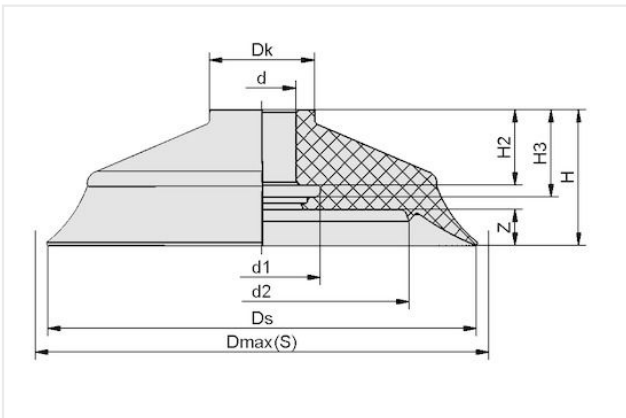


Size: 70

Suction cup material: Natural Rubber NK

Material hardness [Shore A]: 45 Shore A

### Design Data



| Attribute  | Value    |
|------------|----------|
| d          | 7.50 mm  |
| d1         | 17 mm    |
| d2         | 48 mm    |
| Dk         | 17 mm    |
| Dmax(S)    | 74 mm    |
| Ds         | 70 mm    |
| H          | 22.20 mm |
| H2         | 12.80 mm |
| H3         | 14.30 mm |
| Z (Stroke) | 4 mm     |

Note: Acceptable dimensional tolerances for elastomer parts concerning to DIN ISO 3302-1 M3

### Technical Data

| Attribute                | Value                 |
|--------------------------|-----------------------|
| Size                     | 70                    |
| Nipple family            | N 041                 |
| Number of folds          | 0                     |
| Lateral force            | 145 N                 |
| Suction force (-600mbar) | 155 N                 |
| Suction cup material     | Natural Rubber NK     |
| Volume                   | 16.21 cm <sup>3</sup> |

### Contact Schmalz

Schmalz Sp.z.o.o. | ul. Fabianowska 131/A1, 62-052 Komorniki, Poland | +48 61 628 67 70 | [schmalz@schmalz.pl](mailto:schmalz@schmalz.pl)

## Flat suction cup (round)

SHF 70 NK-45 N041

Part no...:10.01.01.11682

<https://www.schmalz.com/10.01.01.11682>

|                             |         |
|-----------------------------|---------|
| Curve radius (min) (convex) | 95 mm   |
| Weight                      | 28.20 g |
| Product family              | SHF     |

### Accessories



#### SA-NIP N041 G1/4-AG DN440

Part no...:10.01.01.11772

Thread G1: G1/4"-M

Fitting length: 4 mm

Material: Aluminum



#### SA-NIP N041 G1/4-IG DN440

Part no...:10.01.01.11822

Thread G1: G1/4"-F

Fitting length: 15 mm

Material: Aluminum



#### SIEB 15x0.8 MS-A2 0.103/0.07

Part no...:10.07.01.00211

External diameter D: 15 mm

Length L: 0.8 mm

Material: Brass / Stainless steel

### Contact Schmalz

Schmalz Sp.z.o.o. | ul. Fabianowska 131/A1, 62-052 Komorniki, Poland | +48 61 628 67 70 | [schmalz@schmalz.pl](mailto:schmalz@schmalz.pl)

## Flat suction cup (round)

SHF 70 NK-45 N041

Part no...:10.01.01.11682

<https://www.schmalz.com/10.01.01.11682>



**TVN G1/4-AG 8.4 N041**

Part no...:10.05.10.00058

Thread G1: G1/4"-M

Spring stroke Z: 8.4 mm

Nipple: N 041