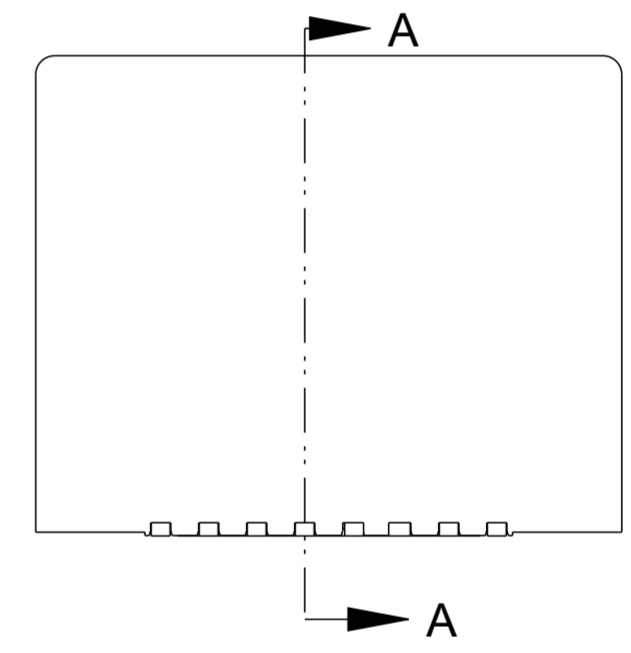
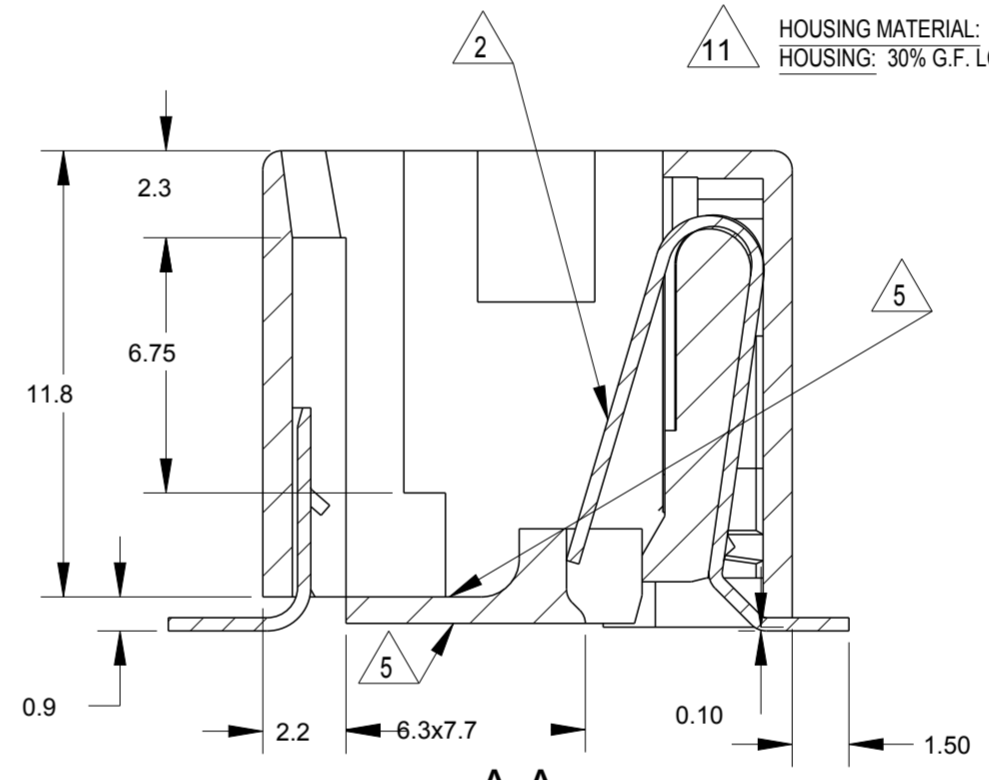
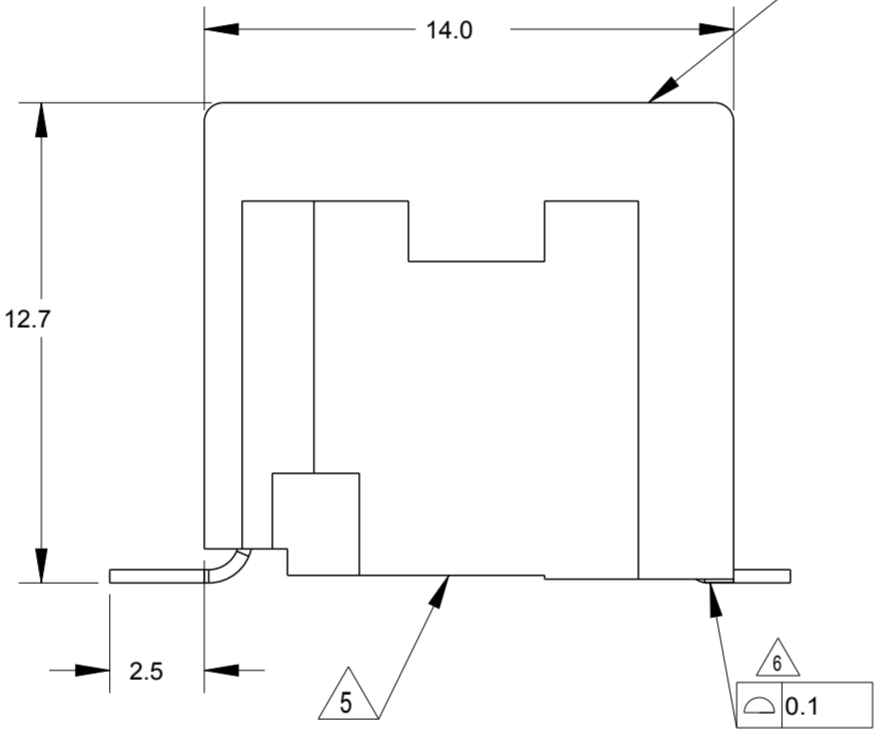
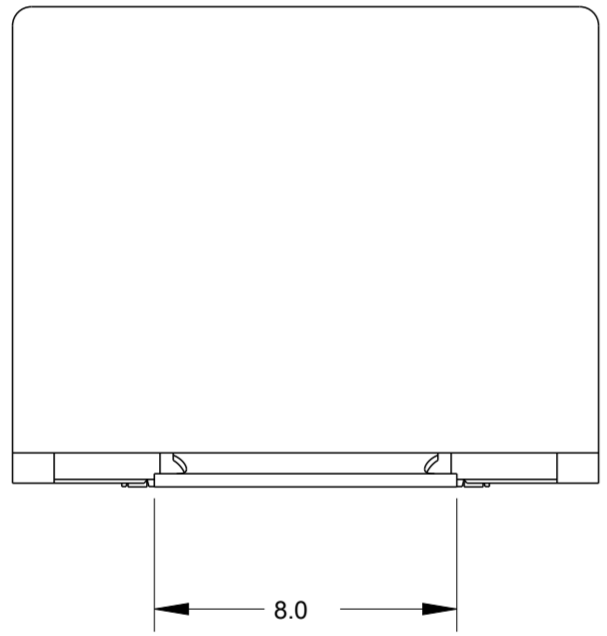
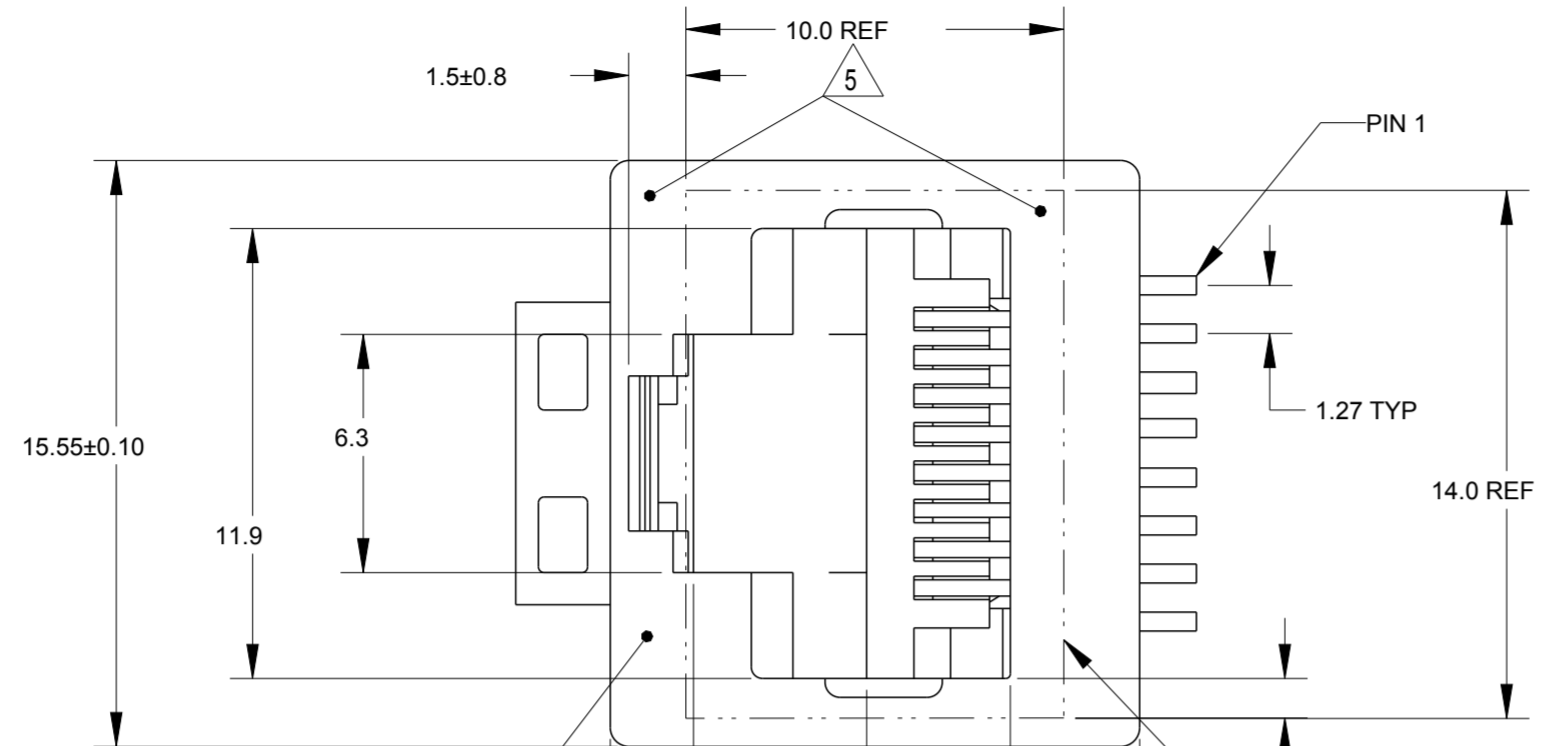
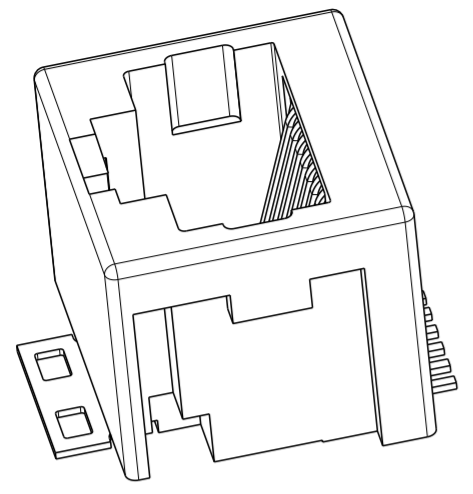


THIS DRAWING IS UNPUBLISHED. RELEASED FOR PUBLICATION
 © COPYRIGHT - TE CONNECTIVITY ALL RIGHTS RESERVED.

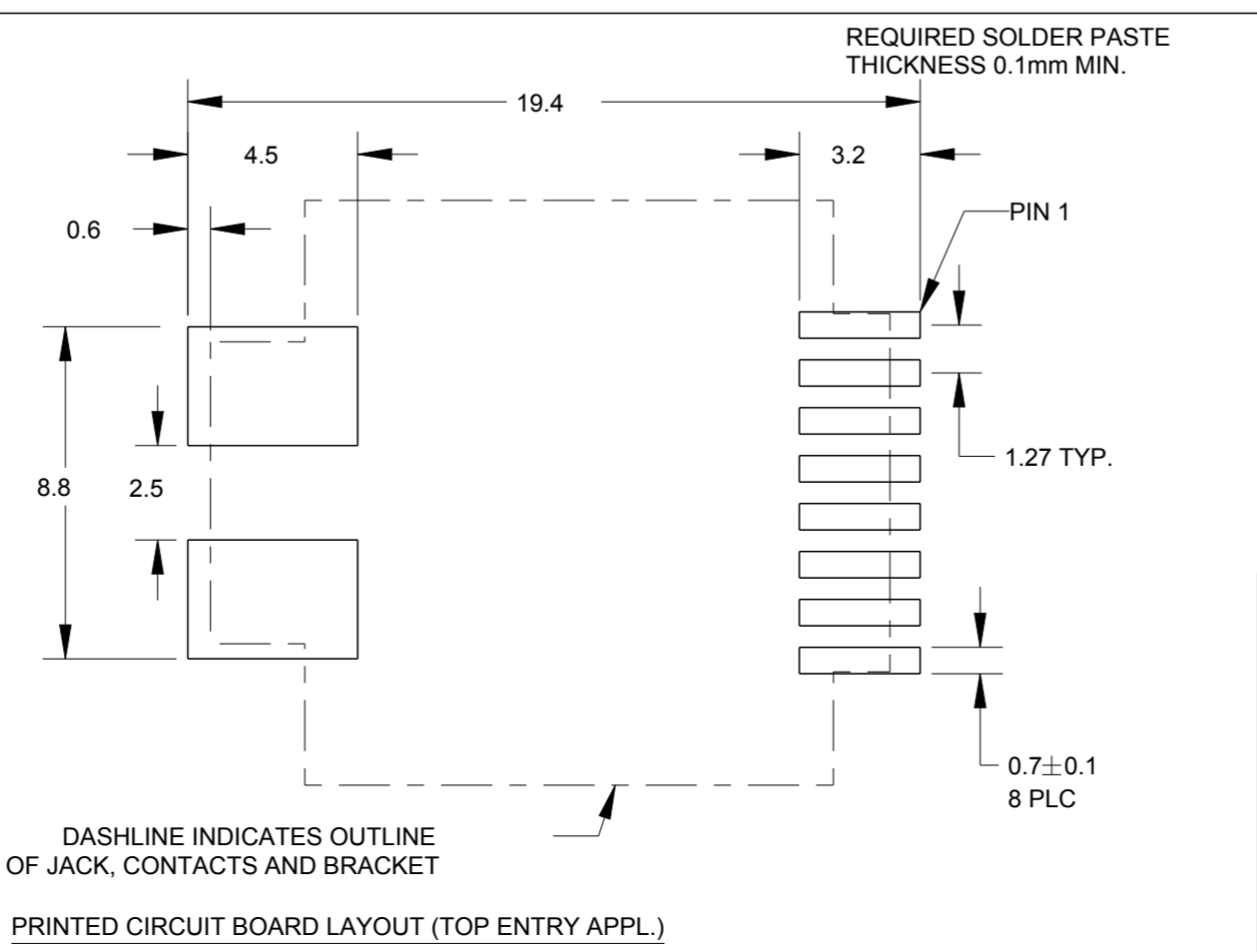
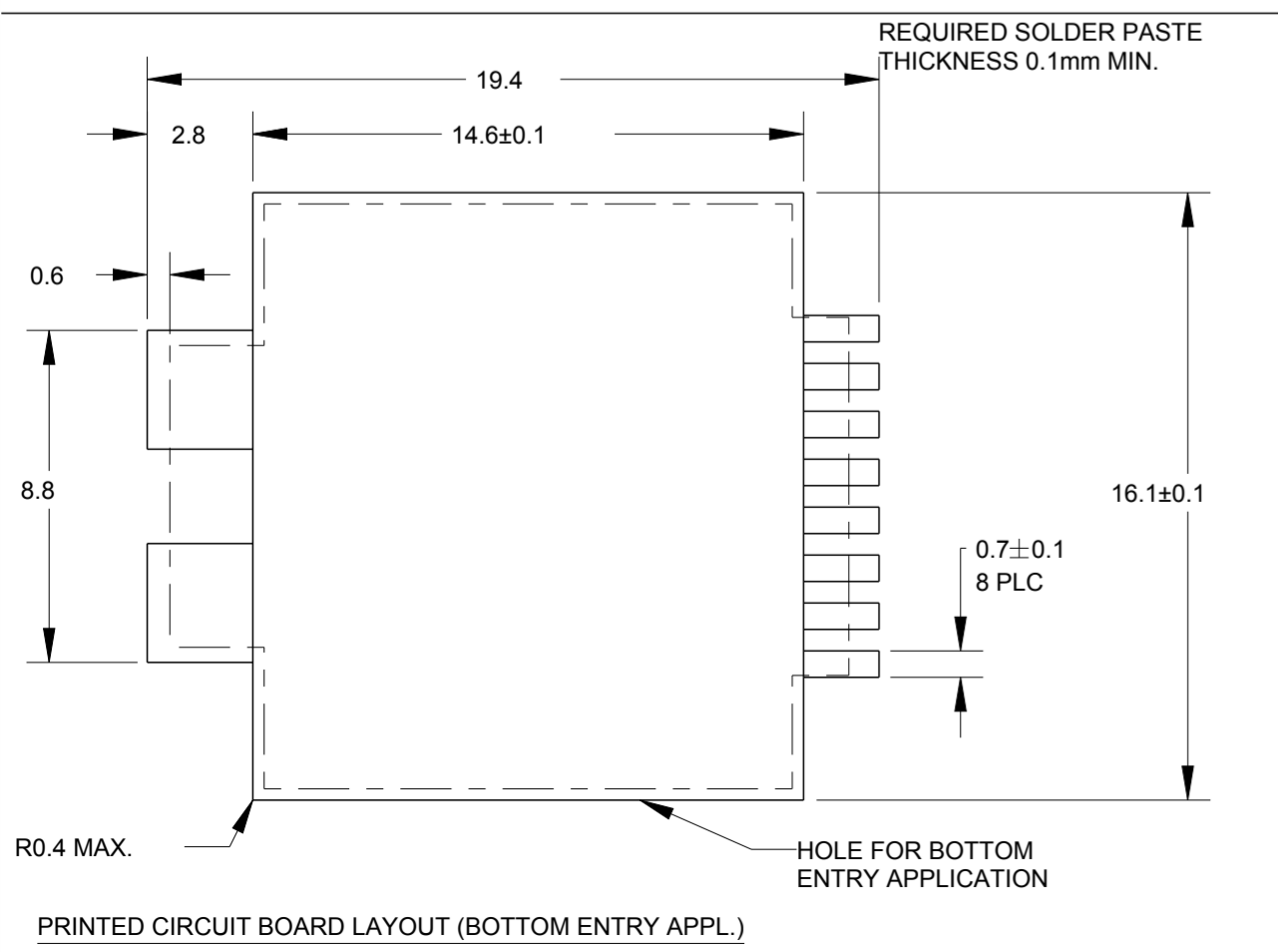
LOC	DIST	REVISIONS					
IR	-	P	LTR	DESCRIPTION	DATE	DWN	APVD
		Y		ECO-11-025237	06JAN2012	PS	RRP
		Y1		E-14-013001	01SEP2014	CW	SH



- NOTES:
- TOLERANCES UNLESS OTHERWISE SPECIFIED: ±0.15.
 - CONTACT PLATING:
OVERALL: Ni 1.27µm MIN. ALL OVER THE CONTACTS
SOLDER ZONE: Sn 3.5-5.0µm ON THE SOLDER ZONE OF THE CONTACT
MATING ZONE: PLATING CONFIRMS TO PRODUCT REQUIREMENTS AS PER SPECIFICATION 108-19117
 - CONTACT AND BRACKET MATERIAL:
CONTACTS: PHOSPHOR BRONZE
SOLDER BRACKET: TINPLATED BRASS WITH NICKEL UNDERLAYER.
 - THIS JACK CAN ALSO BE APPLIED HANGING THROUGH A HOLE, IN A PRINTED CIRCUIT BOARD. SEE LEFT PCB LAYOUT.
 - SURFACE CAN BE USED FOR PICKING THE MODULAR JACK WITH, TYPE II SMD MACHINE.
 - MEASURED AT HEEL OF CONTACTS, COPLANARITY AT TIPS MAX. 0.18mm.
 - TAPE AND REEL PACKAGING ACCORDING TO EIA 481-3 SPECIFICATIONS.
 - INCLUDES KAPTON TAPE (10mm x 14mm) ON TOP SURFACE FOR PICK AND PLACE UNIT
 - OBSOLETE
 - HOUSING MATERIAL:
HOUSING: 30% G.F. PA4T(HALOGEN FREE), COLOR BLACK, UL 94V-0.
 - HOUSING MATERIAL:
HOUSING: 30% G.F. LCP(HALOGEN FREE), COLOR BLACK, UL 94V-0.

SECTION A-A

8 POSN./8 CONTACT	250PCS ON Ø 360mm OD REEL TOP ENTRY ORIENTATION PER DETAIL B1 WITH KAPTON TAPE FOR PICK AND PLACING	11	4-338088-3
8 POSN./8 CONTACT	250 PCS ON Ø 360mm OD REEL TOP ENTRY ORIENTATION PER DETAIL B1	10	3-338088-3
8 POS./8 CONTACT	250PCS ON Ø 360mm OD REEL TOP ENTRY ORIENTATION PER DETAIL B1 WITH KAPTON TAPE FOR PICK AND PLACING	10	1-338088-6
8 POSN./8 CONTACT	250 PCS ON Ø 360mm OD REEL BOTTOM ENTRY ORIENTATION PER DETAIL B2	9	1-338088-5
8 POSN./8 CONTACT	500 PCS ON Ø 560mm OD REEL TOP ENTRY ORIENTATION PER DETAIL B1	10	2-338088-3
8 POSN./8 CONTACT	250 PCS ON Ø 360mm OD REEL TOP ENTRY ORIENTATION PER DETAIL B1	10	1-338088-3



REMARKS: THIS DRAWING IS A CONTROLLED DOCUMENT.

PACKAGING: 7

PART NUMBER: 4-338088-3

TE Connectivity

INVERTIBLE MODULAR JACK, 8 POSITION SURFACE MOUNT APPLICATION

APVD: R.SMEETS

108-19117

114-19041

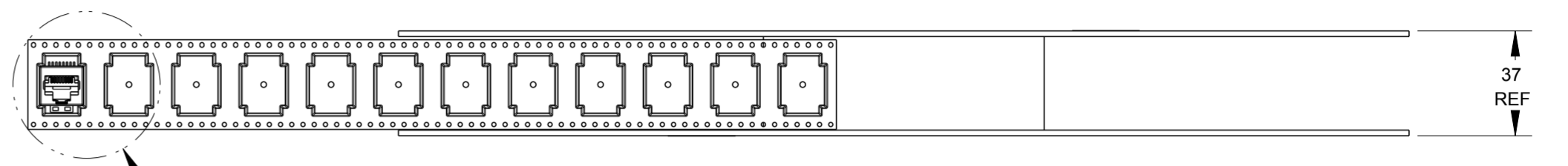
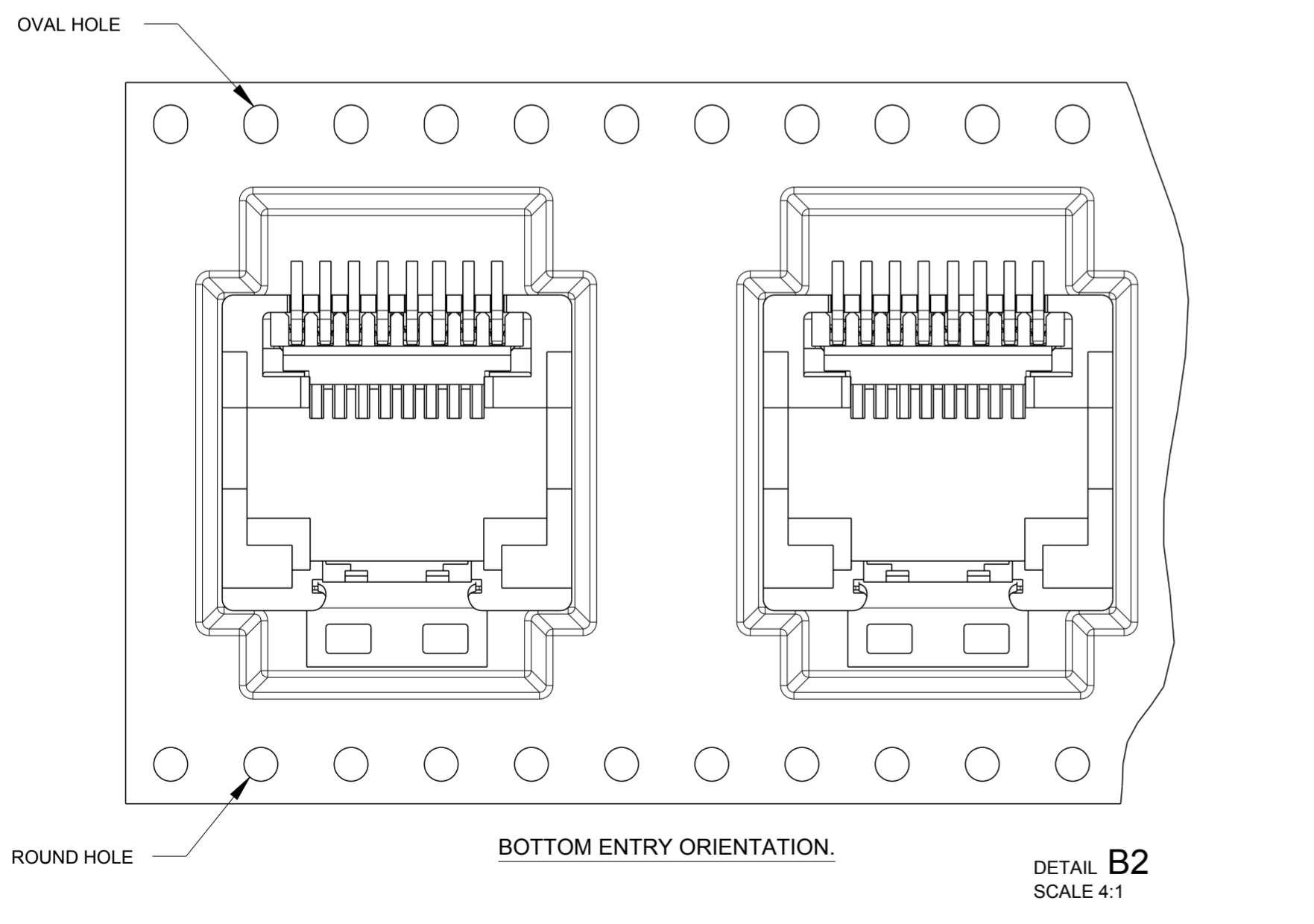
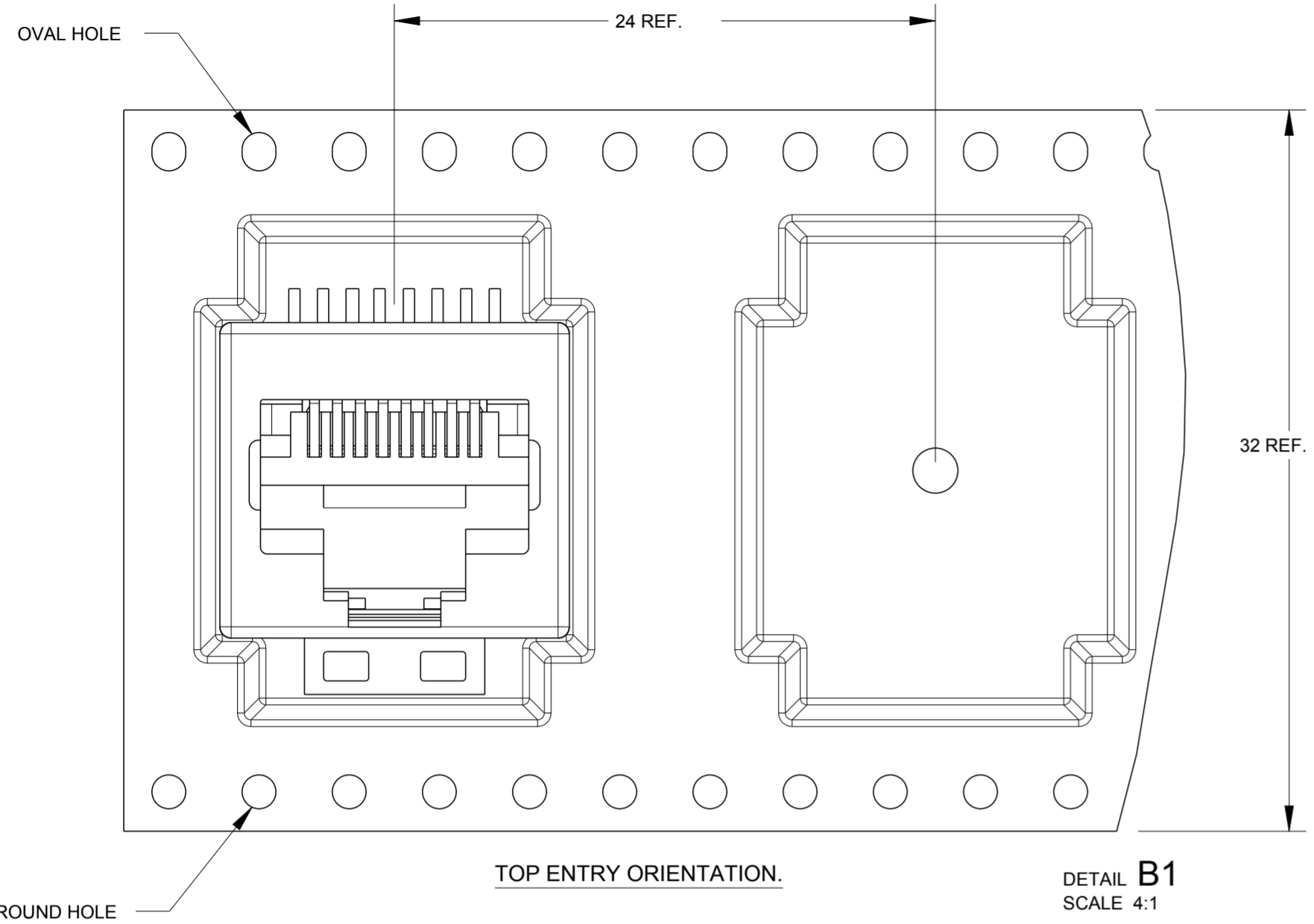
2.1 gr

A2 00779

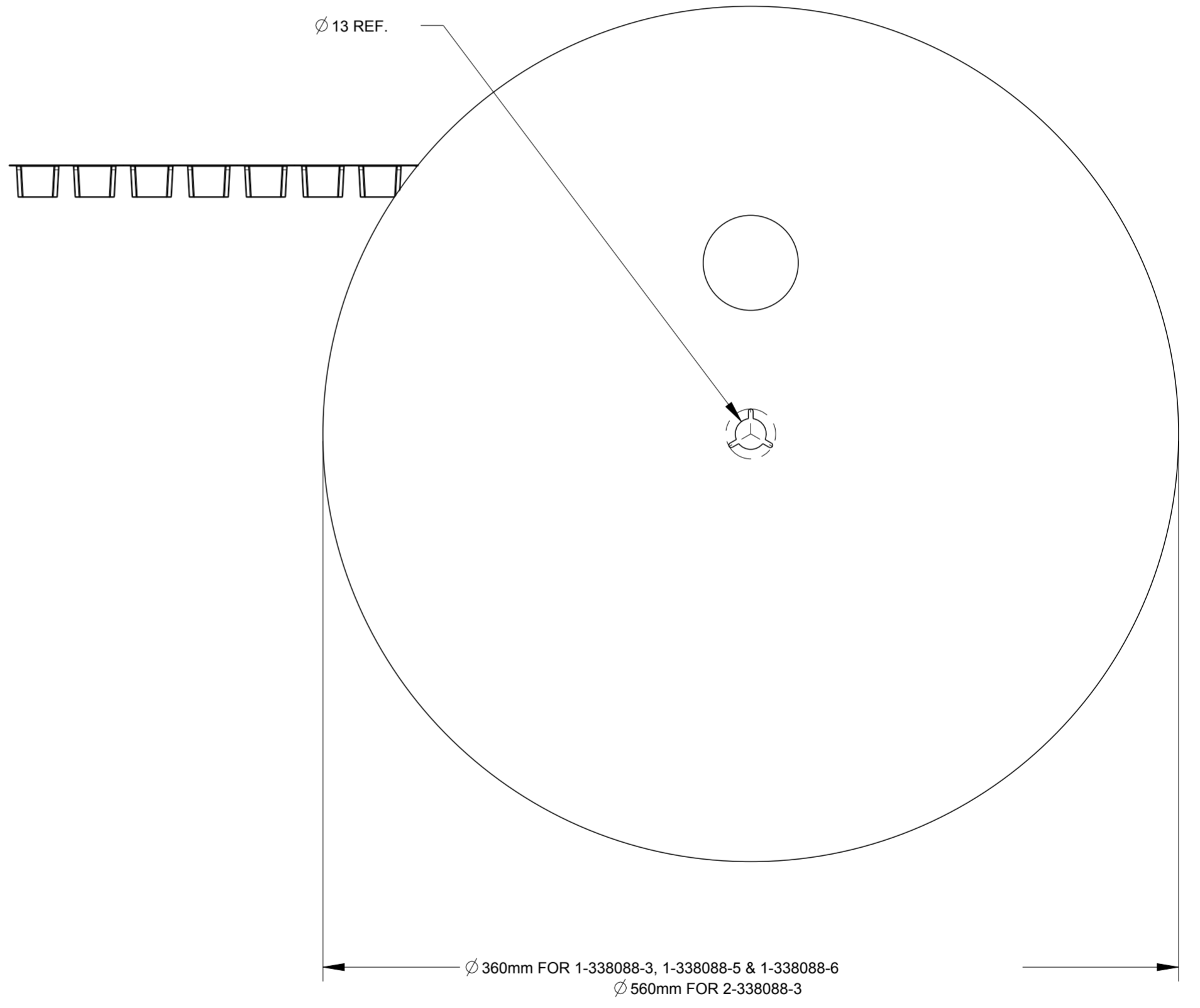
SCALE: 5:1 SHEET 1 OF 2 REV: Y1

THIS DRAWING IS UNPUBLISHED. RELEASED FOR PUBLICATION
 © COPYRIGHT - TE CONNECTIVITY ALL RIGHTS RESERVED.

LOC	DIST	REVISIONS				
P	LTR	DESCRIPTION	DATE	DWN	APVD	
IR	-	SEE SHEET 1				



SEE DETAIL B1 & B2



THIS DRAWING IS A CONTROLLED DOCUMENT.		DWN E.v.ELJK 30-Sep-96	TE Connectivity		
DIMENSIONS:		CHK E.STELLINGA Dec-96			
mm	TOLERANCES UNLESS OTHERWISE SPECIFIED:	APVD R.SMEETS	NAME	INVERTIBLE MODULAR JACK, 8 POSITION SURFACE MOUNT APPLICATION	
0 PLC ±	1 PLC ±	PRODUCT SPEC	SIZE	CAGE CODE	DRAWING NO
2 PLC ±	3 PLC ±	108-19117	A2	00779	338088
4 PLC ±	ANGLES ±	114-19041	RESTRICTED TO	-	
MATERIAL	FINISH	WEIGHT	SCALE	SHEET	OF
-	-	2.1 gr	5:1	2	2
CUSTOMER DRAWING			REV	Y1	