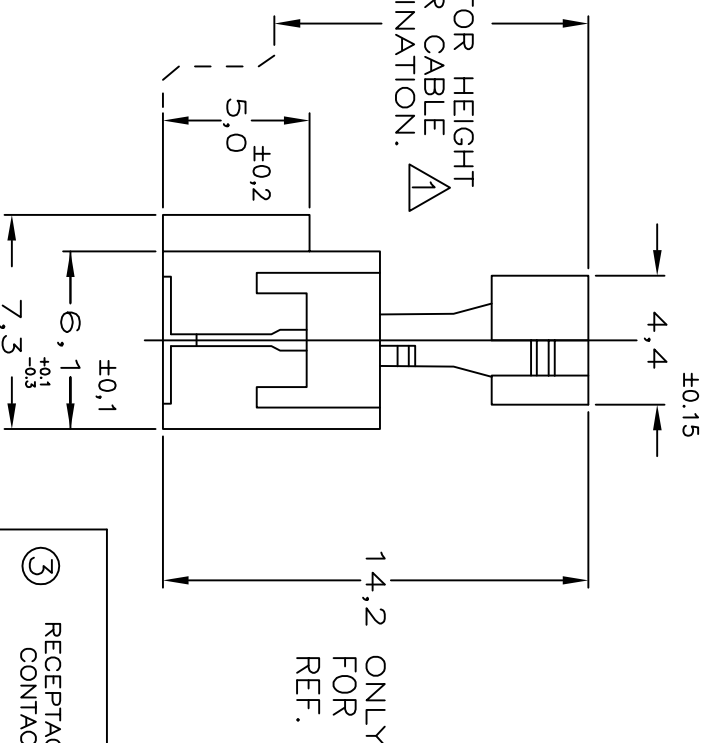
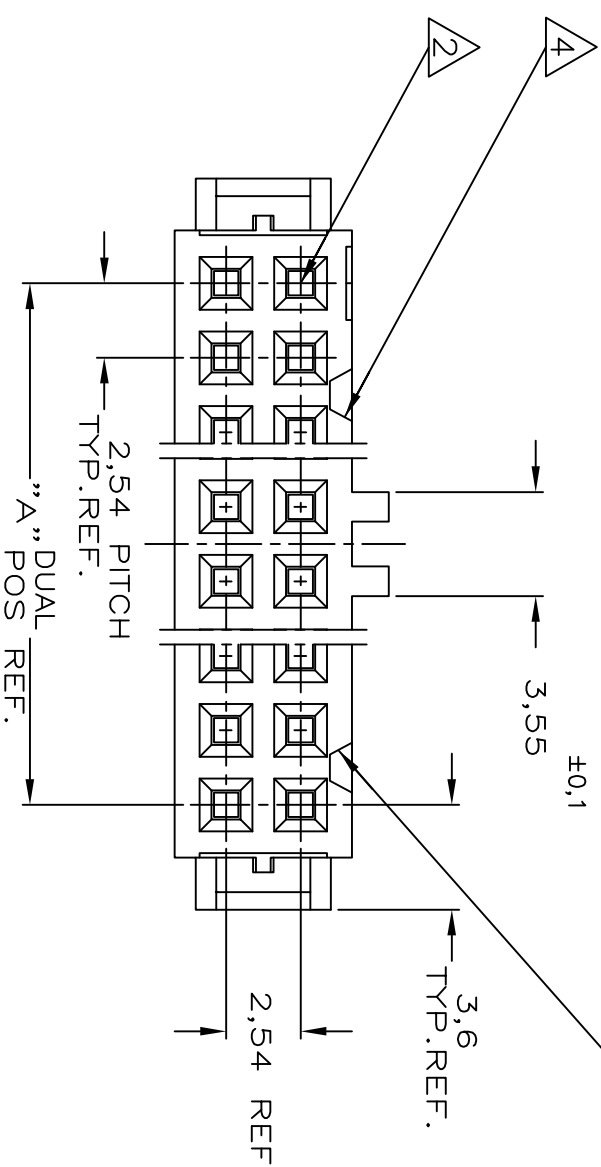
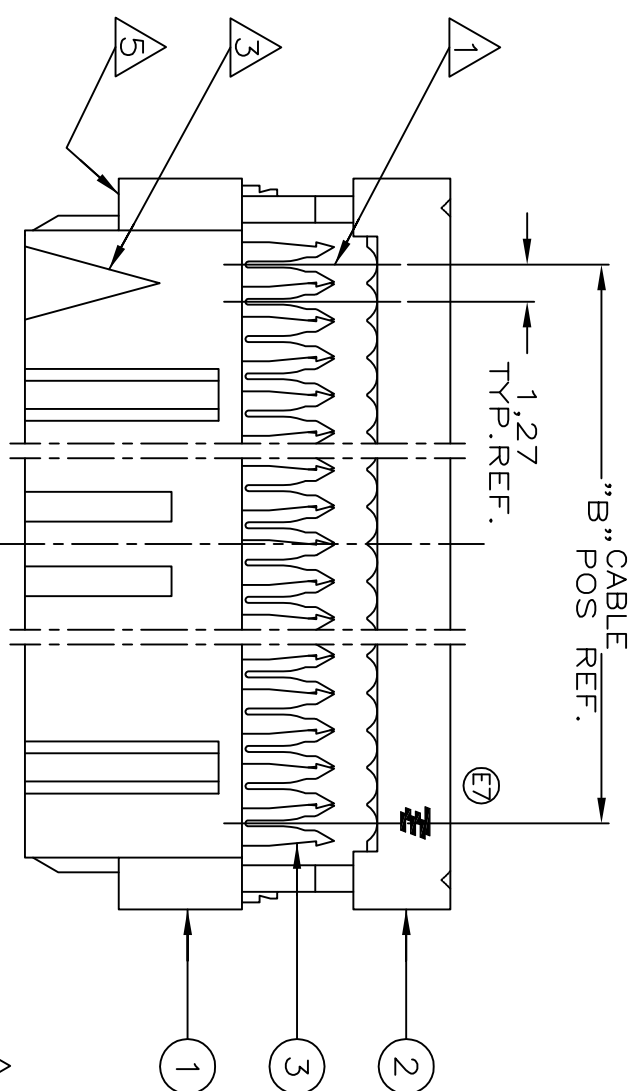
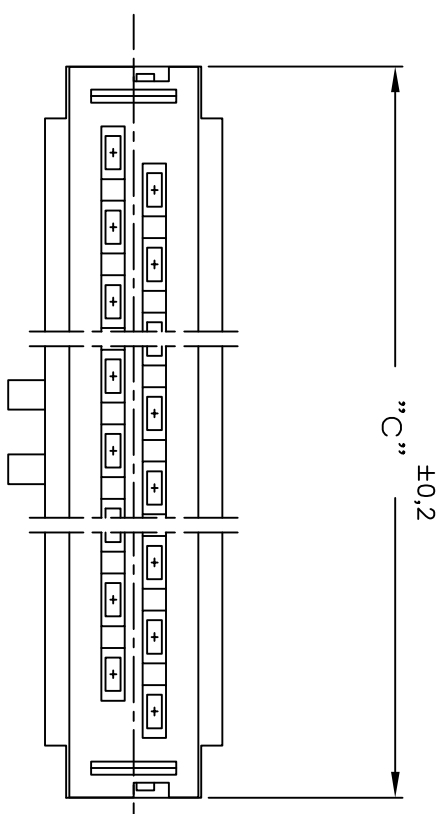
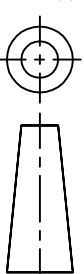


DO NOT SCALE
DIMENSIONS IN mm

METRIC

THIRD ANGLE
PROJECTION



- NOTES:
- CONNECTOR IS DESIGNED FOR FLAT RIBBON CABLE ON 1,27 CENTERS. FOR CABLE REQUIREMENTS SEE AMP APPLICATION SPECIFICATION 114-19022.
 - THESE RECEPTACLE CONNECTORS MATE WITH 0,64^{+0,05} mm SQUARE OR ROUND POSTS ON 2,54mm GRID.
 - MARK INDICATING FIRST CABLE POSITION REFERRING TO CONTACT POSITION.
 - THERE IS NO POLARIZATION-SLOT AT THIS END IN 6, 10 AND 14 POS CONNECTORS.
 - THESE CONNECTORS CAN BE USED IN CONJUNCTION WITH STRAIN-RELIEF COVERS OF PARTNR: 100103.
 - THERE IS NO POLARIZATION-SLOT AT THIS END IN 6 POS CONNECTORS.
 - PRODUCT SPECIFICATION 108-19033.
 - OBsolete PARTS: OBsolete CIS STREAMLINING PER D.RENAUD/D.SINISI

85,9	64	32	6-215882-4	E
80,8	60	30	6-215882-0	E
68,1	50	25	5-215882-0	E
60,5	44	22	4-215882-4	E
55,4	40	20	4-215882-0	E
47,8	34	17	3-215882-4	E
42,7	30	15	3-215882-0	E
37,6	26	13	2-215882-6	E
30,0	20	10	2-215882-0	E
24,9	16	8	1-215882-6	E
22,4	14	7	1-215882-4	E
17,3	10	5	1-215882-0	E
14,9	8	4	0-215882-8	C
12,2	6	3	0-215882-6	E
9,7	4	2	0-215882-4	C
DIM."C"	"B" CABLE POS.	"A" DUAL POS.	PARTNUMBER	PART REV.

③	RECEPTACLE CONTACT	PHOSPHORBRONZE Cu Sn6	AT CONTACT-PLACE: 0,8 µm GOLD AT WIRING END: 2,5 µm TIN ENTIRE UNDERCOATING: 1,27µm NICKEL
②	COVER	THERMOPLASTIC POLYESTER GF UL 94 -V0	GREY RAL 7032 (ONLY FOR REF.)
①	HOUSING		

COMPONENT NAME	MATERIAL	PLATING / COLOUR
E7 ECR-10-026086	S.C L.SM 12DEC10	
E6 ECO-09-027197	KK AEG 09DEC09	
E4 ET00-0243-04	A.V. R.M. 21-03-05	
E3 ET00-0159-04	A.V. R.M. 13-07-04	
E2 ET00-0180-03	A.V. R.M. 19-01-04	
E1 ET00-0093-03	SS - 23-05-03	
E H-9454	JvdH R.V. 10-01-92	
LTR. REVISION RECORD	DR. CHK. DATE	

DR.:	W.R.VERBEET	CHK.:	R.VERSTIJNEN	APP.:	L.V.SOEST	DWG.No.	SIZE	SHEET	REV.LTR.
DATE:	02-02-88	DATE:	03-02-88	DATE:	03-02-88	C-215882	A3	1 OF 1	E7

NAME	CUSTOMER DRAWING	FOR REFERENCE ONLY WILL NOT BE UPDATED
AMP - LATCH_MIL - TYPE RECEPTACLE_CONNECTOR ASSEMBLY_(SYMMETRIC_COVER)	AMP ITALIA SpA Corso F.LLI Cervi, 15 COLLEGNO (TORINO)	© COPYRIGHT 19 - BY AMP HOLLAND B.V. ALL INTERNATIONAL RIGHTS RESERVED. AMP PRODUCTS MAY BE COVERED BY U.S. AND FOREIGN AND/OR PATENTS PENDING. THIS DRAWING IS UNPUBLISHED RELEASED FOR PUBLICATION .19

8 7 6 5 4 3 2 1

A

B

C

D

E

F