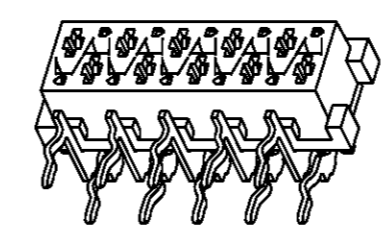
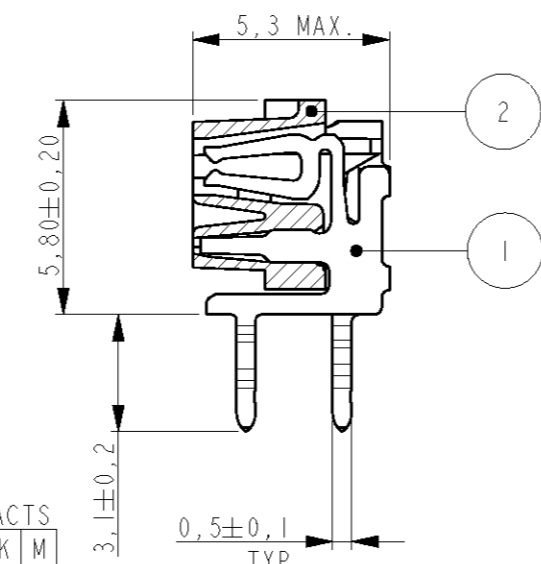
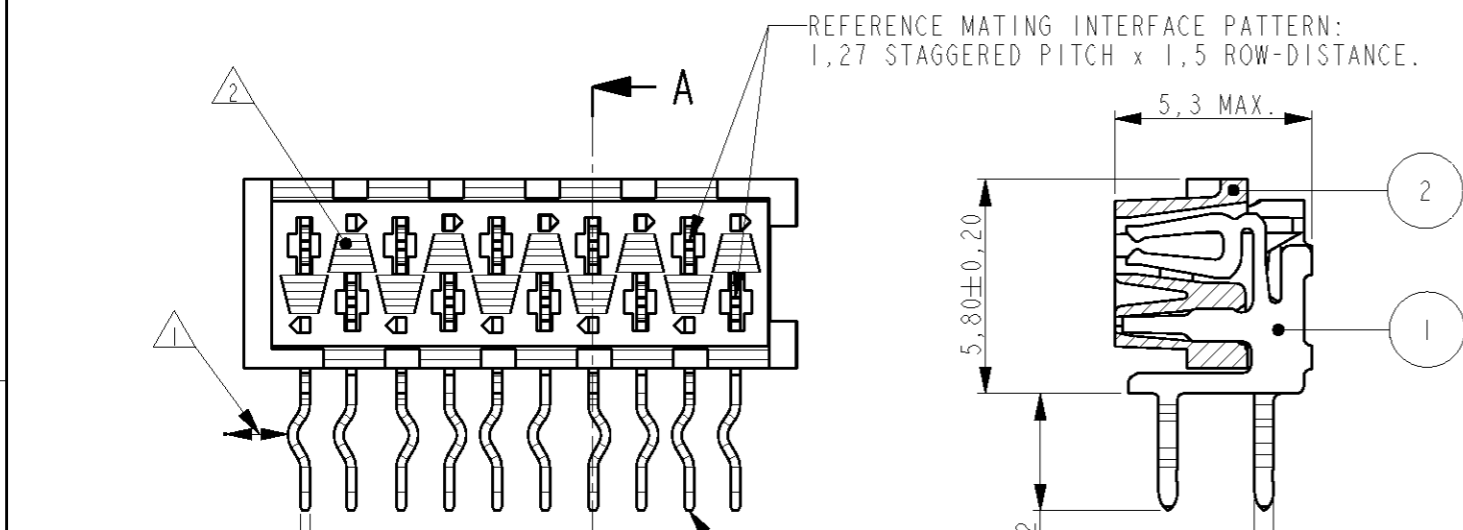
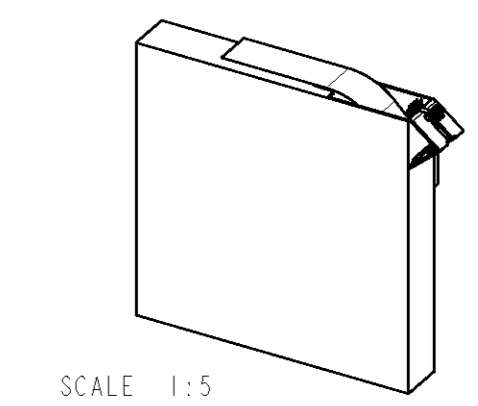


THIS DRAWING IS UNPUBLISHED. RELEASED FOR PUBLICATION
 © COPYRIGHT - BY ALL RIGHTS RESERVED.

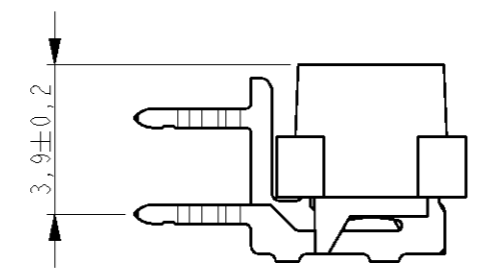
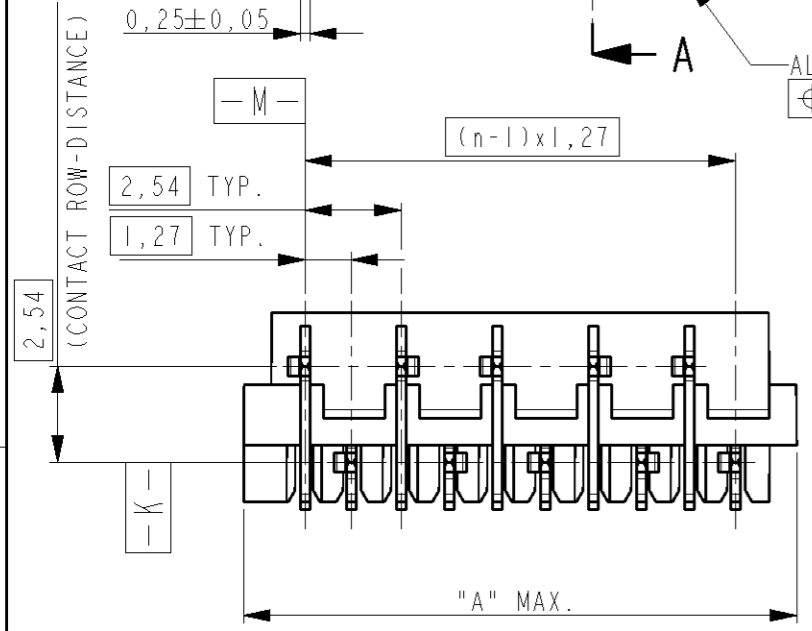
LOC H	DIST -	REVISIONS			
P	LTR	DESCRIPTION	DATE	DWN	APVD
V1		REVISED PER ECO-11-005294	27APR11	RK	HMR



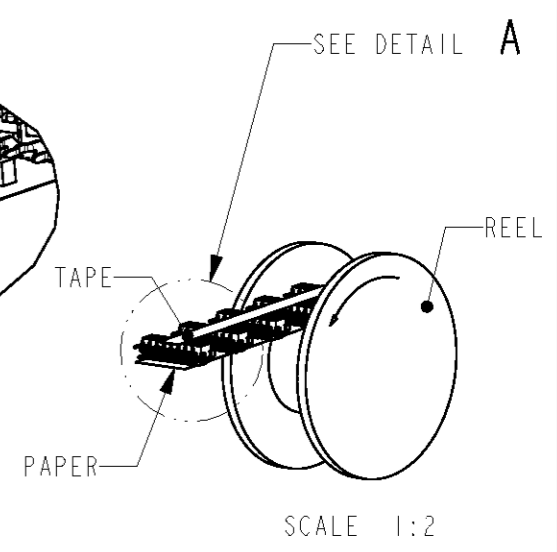
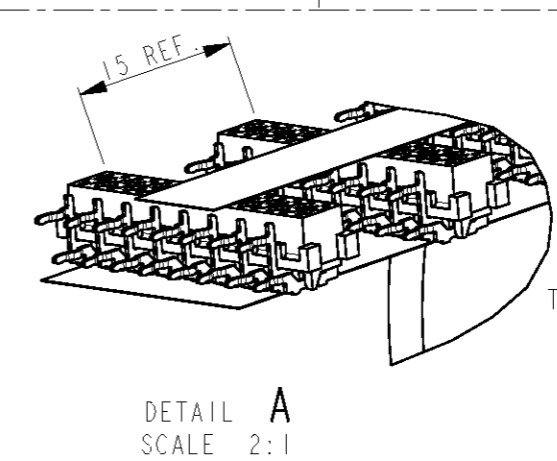
PARTNUMBER BOX PACKAGING	PARTNUMBER REEL PACKAGING	NR OF POS "n"	DIMENSION "A" MAX
7-215460-4	215460-4	4	7,1
7-215460-6	215460-6	6	9,7
7-215460-8	215460-8	8	12,2
8-215460-0	1-215460-0	10	14,7
8-215460-2	1-215460-2	12	17,3
8-215460-4	1-215460-4	14	19,8
8-215460-6	1-215460-6	16	22,4
8-215460-8	1-215460-8	18	24,9
9-215460-0	2-215460-0	20	27,4



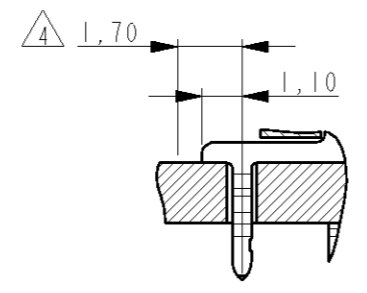
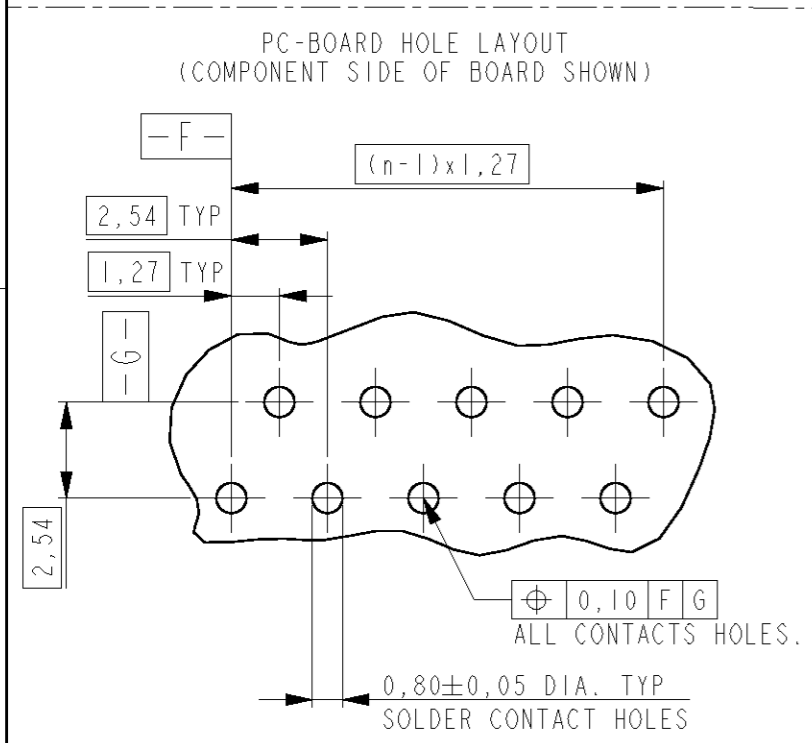
BOX PACKAGING
 250 CONNECTORS PER BOX.
 FOR ALL PARTNUMBERS



- NOTES:
- 1 IN EACH ROW, DIRECTION OF KINKS STARTS RANDOM. IN EACH ROW, SEQUENTIAL CONTACTS HAVE OPPOSITE KINK DIRECTIONS.
 - 2 CORING-OUTS FOR MANUFACTURING PURPOSE ONLY. SHAPE MAY VARY, BUT IS NOT FUNCTIONAL FOR THE APPLICATION.
 - 3 SHOWN IS A 10 POSITION CONNECTOR.
 - 4 THIS AREA IS RESERVED FOR CONTACTS.



REEL PACKAGING
 DEREELING DIRECTION AND CONNECTOR POSITION.
 QUANTITY 2500 CONNECTORS PER REEL FOR ALL PARTNUMBERS,
 EXCEPT 4 POSITION 1500 CONNECTORS PER REEL



DIMENSIONS:	TOLERANCES UNLESS OTHERWISE SPECIFIED:
mm	
0 PLC	±
1 PLC	±
2 PLC	±
3 PLC	±
4 PLC	±
ANGLES	±
FINISH	±
MATERIAL	SEE TABLE

2 HOUSING	G.F. POLYESTER PBT	RED
1 FEMALE CONTACT	PHOSPHOR BRONZE	TIN OVER NICKEL
ITEM NO.	DESCRIPTION	MATERIAL
DWN M. GOSSELINK	-	-
CHK	-	-
APVD	-	-
PRODUCT SPEC	108-19052	
APPLICATION SPEC	-	
WEIGHT	-	
CUSTOMER DRAWING		SCALE 5:1
SIZE	CAGE CODE	DRAWING NO
A3	00779	C=215460
RESTRICTED TO	-	
SHEET	OF	REV
1	1	V1



CONNECTOR,
 FEMALE-ON-BOARD SIDE-ENTRY,
 THRU-HOLE, Micro-MaTch