

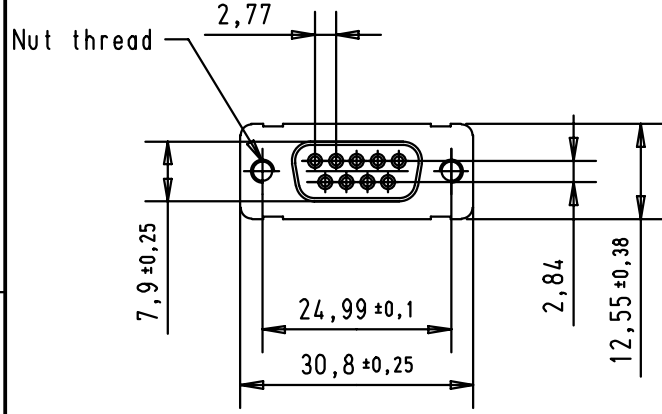
5

4

3

2

1



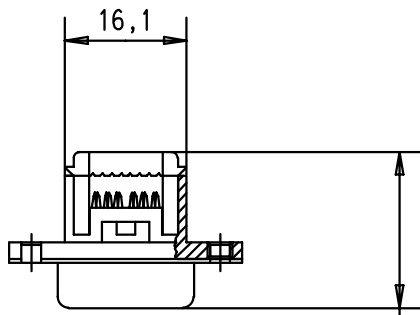
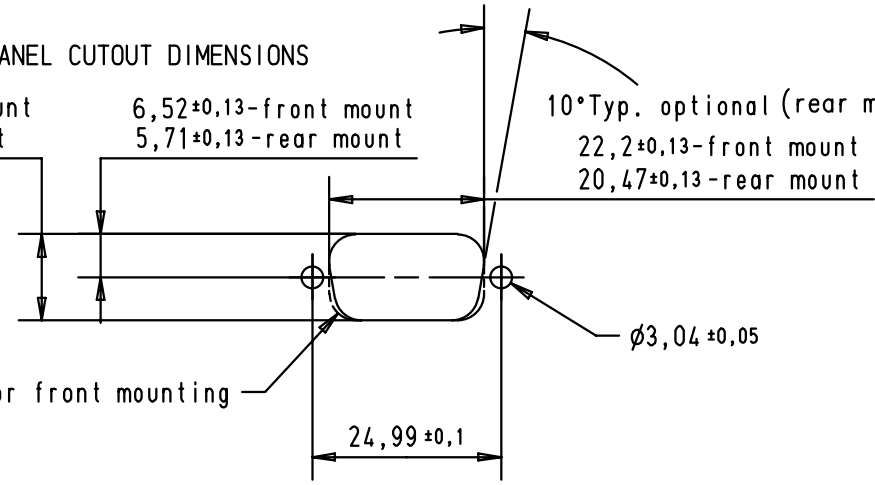
RECOMMENDED PANEL CUTOUT DIMENSIONS

13,03±0,13-front mount
11,4±0,13-rear mount

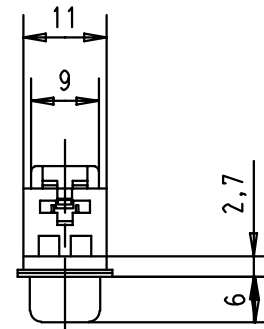
6,52±0,13-front mount
5,71±0,13-rear mount

10°Typ. optional (rear mount only)
22,2±0,13-front mount
20,47±0,13-rear mount

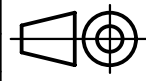

R3,5 max for front mounting



20,65 pre-crimping position
18,20 after crimping position



1.27 mm pitch flat cable stranded, wire sizes : AWG 26 to 28

A	09 66 118 7502	9	3	4-40 UNC						 All Dim. in mm Orig. Size DIN A 4	D-Sub female connector Insulation displacement termination nut fixing	Maßstab/ Scale 1 : 1	
	09 66 118 6502	9	2	4-40 UNC				Detail.	19-MAR-02				CV
	09 66 118 7501	9	3	M3				Insp.					
	09 66 118 6501	9	2	M3				Stand.					
	part number	No of contact	performance level	Nut thread	29756 Mod.	19-MAR-02 Dat.	CV Name	HARTING ELEKTRONIK F-95972 Paris				TB 0966 118 x50x Sub.	Blatt/ Page 1 /