

5

4

3

2

1

D

C

B

A

mating area compatible with
IEC 60603-7

13,97 maxi.

11,3

52,6 maxi.

11,8 maxi.

contact no.6

contact no.1

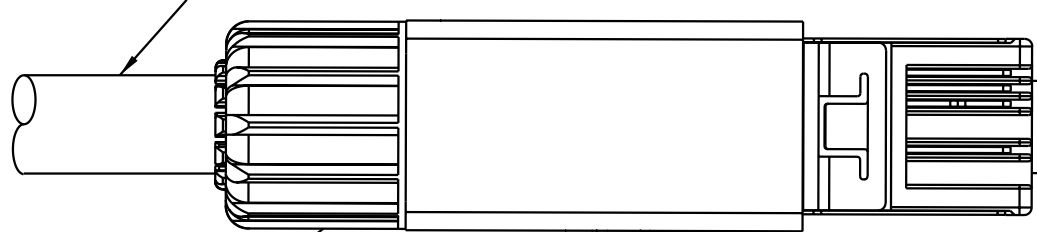
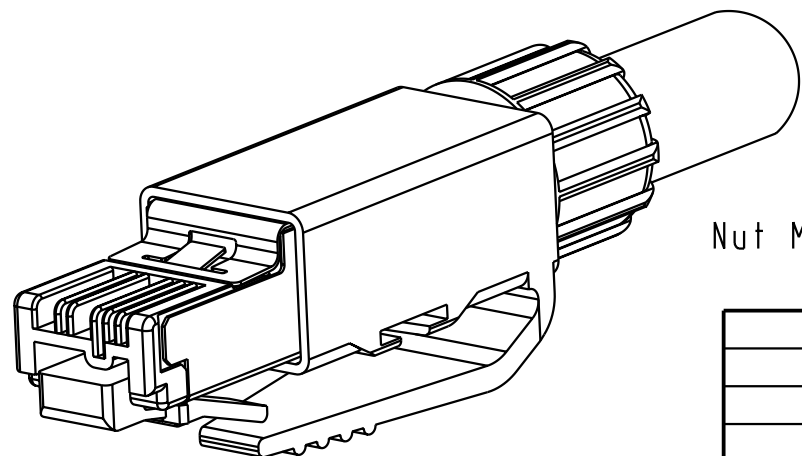
contact no.2

contact no.3



cable $\phi 6,1 - \phi 6,9$ mm
AWG 22/1 to AWG 23/1
AWG 22/7 to AWG 24/7
with O.D. 1,6 mm maxi.

mating face

8,1 maxi.



Nut M10 x 1 with cable clamping

				Det.	Name	 All Dim. in mm Orig. Size DIN A 4	RJ-Industrial Thermoplastic, shielded IP20 plug with 4 data contacts	Maßstab/ Scale 2:1
			Detail.	15-OCT-02	JB			
			Insp.					
			Stand.					
31567	04-NOV-03	JB	HARTING EURL F-95972 Paris				TB 09 45 151 1100	Blatt/ Page 1 / 1
31351	15-OCT-02	JB	Mod.	Det.	Name			