

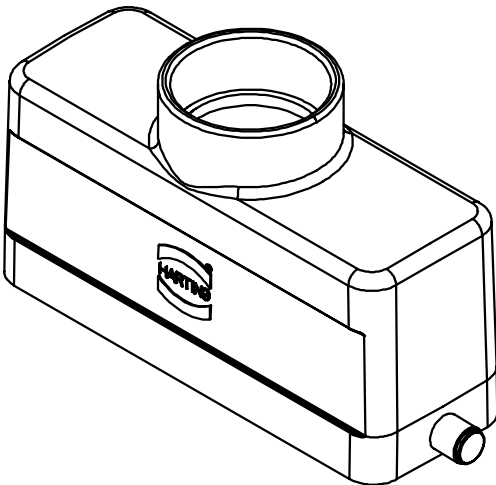
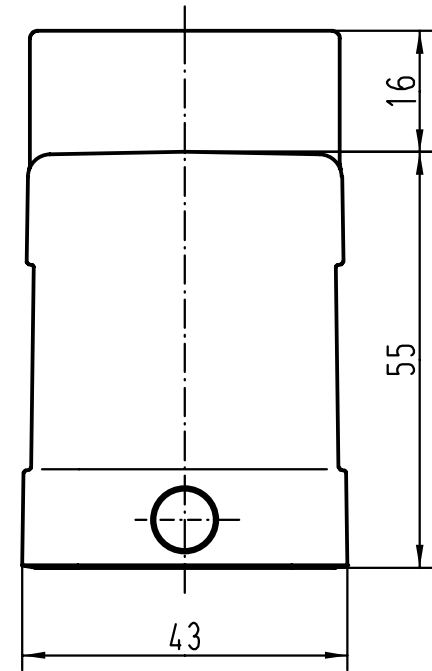
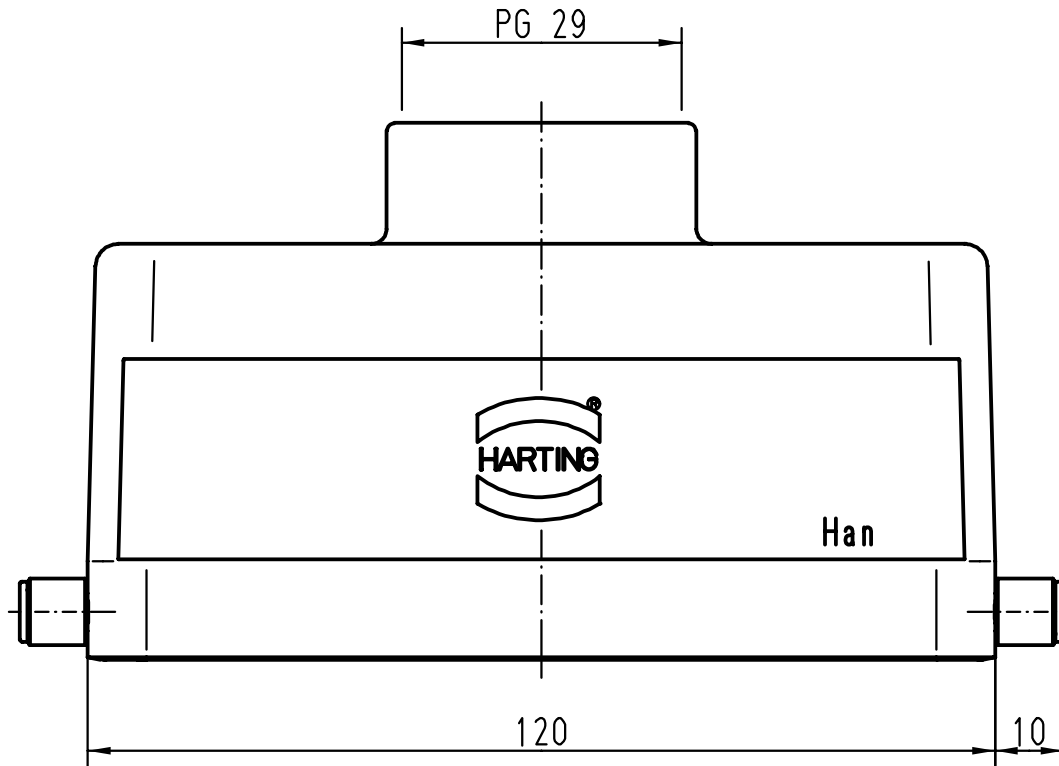
5

4

3

2

1



|   |      |      |                   |          |      |  |   |  |             |
|---|------|------|-------------------|----------|------|--|---|--|-------------|
| All Dimensions in mm<br>Original Size DIN A 4 |      |      | Techn. Character. |          |      | Nicht tolerierte Masse/ Free size tolerances |   |  |             |
|   |      |      |                   | Dat.     | Name | Massstab/Scale<br><b>1:1</b>                 | <b>Han 24B-gg-R-29</b><br>Tüllengehäuse/<br>hoods top-entry |  |             |
|   |      |      | Detail.           | 16.08.99 | Gü   |  |   |  |             |
|   |      |      | Insp.             |          | Sdt  |  |   |  |             |
|   |      |      | Stand.            |          |      |  |   |  |             |
| 26734   |      |      | HARTING KGaA      |          |      |  | <b>TB 09 30 024 1441</b>                                    |  |             |
| Mod.  | Dat. | Name | D-32339 ESPELKAMP |          |      |  |   |  |             |
|   |      |      |                   |          |      |  | Sub. TB 09 30 0.. 144. v. 01.02.93                          |  | Blatt/ page |

D

C

B

A