

Cover for Holder OGN, OGN-SMD



4W/10A



Standards

- IEC 60127-6 Edition 2.0
- UL 4248-1 / UL 512
- CSA C22.2 no. 39

References

Mating cover to [OGN](#); [OGN-SMD](#)

Weblinks

[pdf datasheet](#), [html-datasheet](#), [General Product Information](#), [Packaging details](#), [Approvals](#), [CE declaration of conformity](#), [RoHS](#), [CHINA-RoHS](#), [REACH](#), [Distributor-Stock-Check](#), [Detailed request for product](#), [Microsite](#)

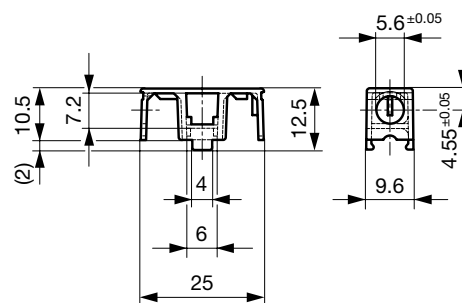
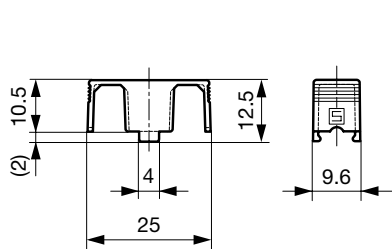
Technical Data

Fuse-Link	5 x 20 mm
Rated Power Acceptance IEC	4 W / 10 A @ Ta 23 °C 2.5 W / 10 A with transparent cover, see derating curves
Admissible Ambient Air Temp.	-40 °C to 85 °C
Material: Cover	Thermoplastic UL 94V-0
Storage Conditions	0 °C to 60 °C, max. 70% r.h.

Contact Resistance	< mΩ at 20 mV
--------------------	---------------

Detailed information on product approvals, code requirements, usage instructions and detailed test conditions can be looked up in [General Product Information](#)

Dimension [mm]



Variants 0853.0551, 0853.0571, 0853.0573 and 0853.0575

Variant 0853.0576

All Variants

Description	Order Number
Transparent Cover (not for reflow)	0853.0551
Reflow-Cover	0853.0571
Reflow-Cover, meets IEC 60335-1	0853.0573
Cover, black, meets IEC 60335-1 Ed. 4.0	0853.0575
Reflow-Cover with Clamp	0853.0576

Most Popular.

Description	Order Number
-------------	--------------

Availability for all products can be searched real-time:<http://www.schurter.com/en/Stock-Check/Stock-Check-SCHURTER>

Packaging Unit	Bulk (100 pcs.)
-----------------------	-----------------
