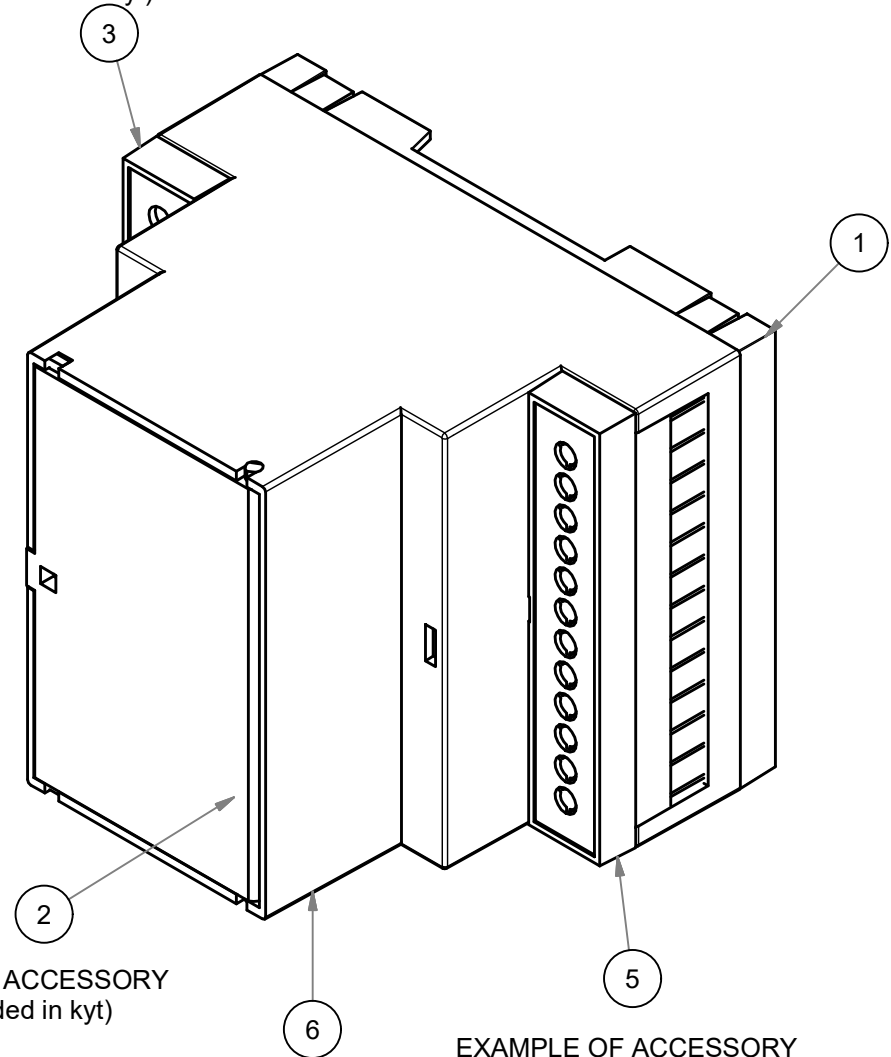


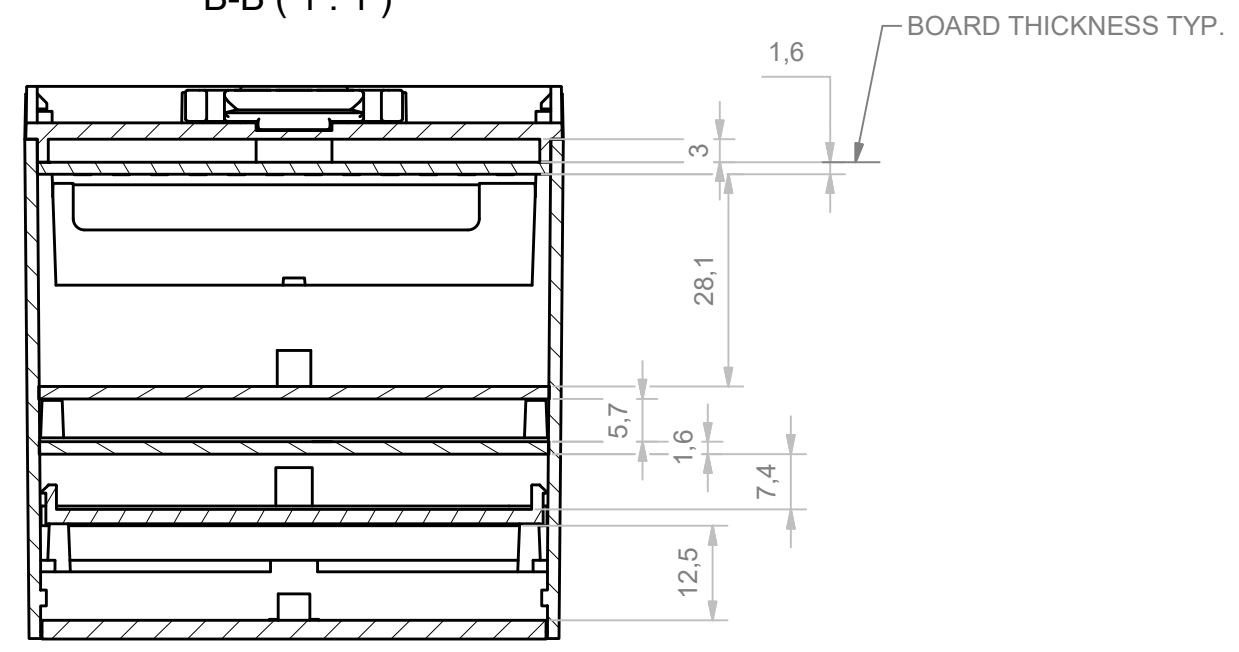
EXAMPLE OF ACCESSORY
(not included in kyt)



EXAMPLE OF ACCESSORY
(not included in kyt)

EXAMPLE OF ACCESSORY
(not included in kyt)

B-B (1:1)



| RIF. | Q.TY | DESCRIPTION | CODE |
|------|------|---|------------|
| 1 | 1 | BASE 4 MODULES | M-00233-01 |
| 2 | 1 | PANEL WITH HOOKS, GREY, 4M WITH FRAME | M-00346-03 |
| 3 | 1 | COPRIMORSETTO PREFORATO PASSO 10,16 6 VIE 4MP10 | M-00406-00 |
| 4 | 1 | MODULAR SHORT HOOK | M-01624-02 |
| 5 | 1 | PRE-MARKED TERMINAL COVER PITCH 5,08 4MP05P | M-00120 |
| 6 | 1 | CORPO CONTENITORE 4MH68 | M-00204-02 |
| 7 | 1 | PANNELLO 4M C/CERNIERA | M-00220-00 |

RESERVED PROPERTY: The present drawing cannot be reproduced or communicated to 3d parties, even partially, without the authorization of ITALTRONIC Srl. Italtronic reserves to protect its own rights according to the law.

| | | | | |
|-------------------|---------------------------------|-------------------------------------|------------|----------------------|
| GENERAL TOLERANCE | UNI EN 22768/1 Media (m) | Drawn: | Checked: | Revision description |
| SHEET NR. | Dimension in mm | DRAWING BY | Fanin F. | Dalla Montà D. |
| 1 / 1 | | | Date: | Scale: 1 : 1 |
| | | Manual modification are not allowed | 06/06/2016 | Replace nr. |
| | | | | Part number: |

Denomination: **CONTENITORE COMPLETO MODULBOX 4MH68**
COMPLETE ENCLOSURE MODULBOX 4MH68

ITALTRONIC S.R.L.
VIA AUSTRIA 25/D 35127
PADOVA - ITALY
www.italtronic.com

Drawing nr. **M-06597-00**