

PART NO.	ENG. NO.	CIRCUIT SIZE	MATERIAL (SEE NOTE 1)	STATUS
366430010	36643-0010	5	E	ACTIVE

**NOTES:**

1) MATERIAL CODES:

\*E\* = NYLON 94V-2  
 COLOUR: NATURAL  
 GLOW WIRE COMPATIBLE WITH CTI OF 325 VOLTS,  
 ACCORDING TO IEC 60335-4TH EDITION

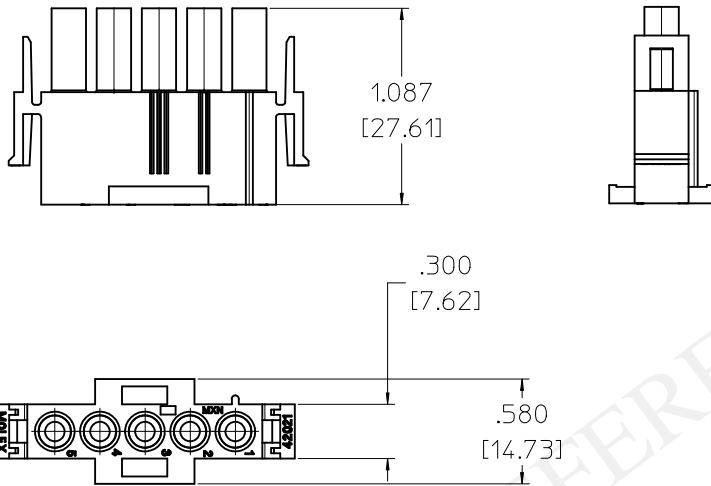
2) UNLESS OTHERWISE INDICATED, DIMENSIONS ARE FOR REFERENCE ONLY.

3) PLUG HOUSINGS MATE WITH :  
 - CAP HOUSINGS, .084/(2.13) DIA. SERIES: SD-36644-010  
 - HEADER ASSEMBLY HOUSINGS, SD-36757-0030 & .084/(2.13) DIA. SERIES: SD-36757-0150

4) HOUSINGS DESIGNED TO BE USED WITH TERMINALS :  
 - PINS, .084/(2.13) DIA. SERIES: (42023-\*\*\*\*)  
 - SOCKETS, .084/(2.13) DIA. SERIES: (42024-\*\*\*\*)

5) CONTACTS ARE ON .250/(6.35) GRID CENTERLINE SPACING.

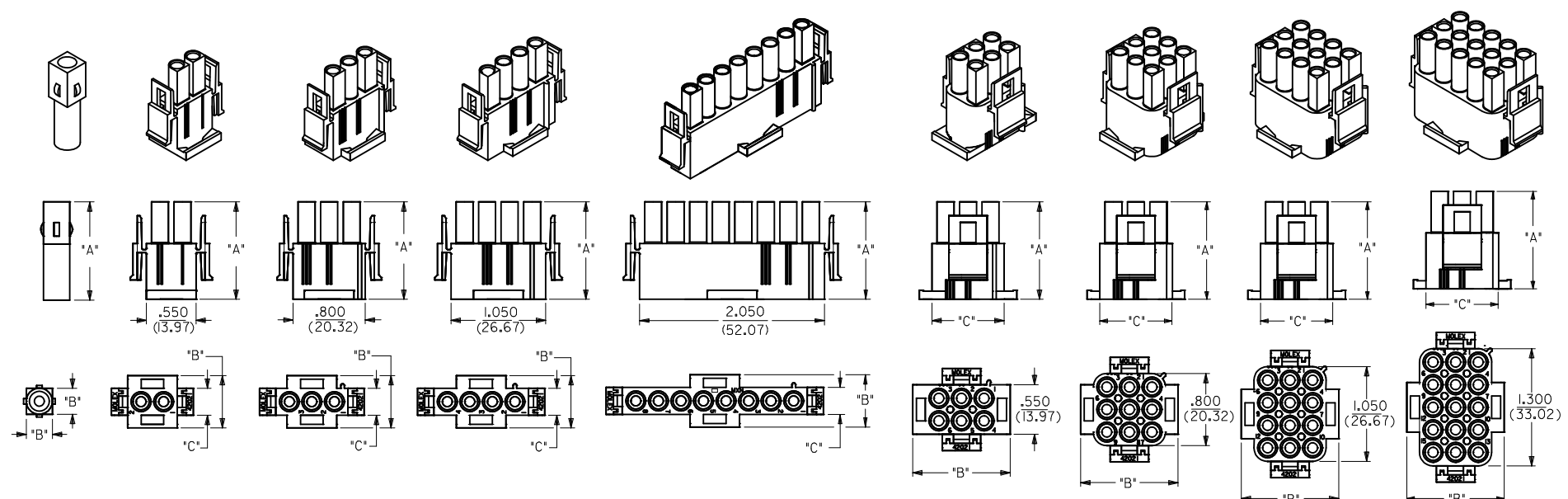
6) PRODUCT SPECIFICATION PS-42022-0001 APPLIES.



FOR REFERENCE USE ONLY

ENTER DESCRIPTION EC NO: 12012-0250 DRWN: VUTTARKAR 2012/02/09 CHKD: CHIKD: APPR: VUTTARKAR 2012/02/12 REV 1	QUALITY SYMBOLS	GENERAL TOLERANCES (UNLESS SPECIFIED)	DIMENSION STYLE	SCALE	DESIGN UNITS	THIRD ANGLE PROJECTION																		
	$\nabla=0$ $\nabla=0$	<table border="1"> <thead> <tr> <th></th> <th>mm</th> <th>INCH</th> </tr> </thead> <tbody> <tr> <td>4 PLACES</td> <td>± .01</td> <td>± .0004</td> </tr> <tr> <td>3 PLACES</td> <td>± .01</td> <td>± .0004</td> </tr> <tr> <td>2 PLACES</td> <td>± 0.25</td> <td>± 0.010</td> </tr> <tr> <td>1 PLACE</td> <td>± 0.36</td> <td>± .014</td> </tr> <tr> <td>ANGULAR</td> <td>± .005</td> <td>± .0002</td> </tr> </tbody> </table>		mm	INCH	4 PLACES	± .01	± .0004	3 PLACES	± .01	± .0004	2 PLACES	± 0.25	± 0.010	1 PLACE	± 0.36	± .014	ANGULAR	± .005	± .0002	IN/MM	2:1	INCH	<input checked="" type="checkbox"/> <input type="checkbox"/>
		mm	INCH																					
	4 PLACES	± .01	± .0004																					
3 PLACES	± .01	± .0004																						
2 PLACES	± 0.25	± 0.010																						
1 PLACE	± 0.36	± .014																						
ANGULAR	± .005	± .0002																						
DRAFT WHERE APPLICABLE MUST REMAIN WITHIN DIMENSIONS	DRAWN BY: RK DATE: 87/11/16 CHECKED BY: GWF DATE: 87/11/16 APPROVED BY: GWF DATE: 87/11/16	TITLE	HOUSING, PLUG .084/(2.13) DIA. SERIES																					
	MATERIAL NO.	SEE TABLE	SD-36643-001		SHEET NO. 1 OF 1																			

13 12 11 10 9 8 7 6 5 4 3 2 1



<b>ENTER DESCRIPTION</b> EC NO: 12010-0674 DRWN: SNS01 CHKD: GWF APPR: KRASAD 2010/06/11 87/11/16 2010/06/22	QUALITY SYMBOLS ▼=0 ▽=0	GENERAL TOLERANCES (UNLESS SPECIFIED) 4 PLACES ± --- ± --- 3 PLACES ± --- ± .010 2 PLACES ± 0.25 ± 0.14 1 PLACE ± 0.36 ± --- ANGULAR ± ---°	DIMENSION STYLE IN/MM	SCALE 1:1	DESIGN UNITS INCH	THIRD ANGLE PROJECTION	
	DRAWN BY RK	DATE 87/11/16	TITLE HOUSING, PLUG .084/(2.13) DIA. SERIES				
	CHECKED BY GWF	DATE 87/11/16					
	APPROVED BY GWF	DATE 87/11/16	MOLEX INCORPORATED				
	MATERIAL NO. SEE TABLE	DOCUMENT NO. SD-42021-**	SHEET NO. 1 OF 2				

SIZE A2 THIS DRAWING CONTAINS INFORMATION THAT IS PROPRIETARY TO MOLEX INCORPORATED AND SHOULD NOT BE USED WITHOUT WRITTEN PERMISSION

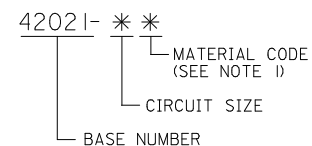
12 11 10 9 8 7 6 5 4 3 2 1

PART NO.	ENG. NO.	CIRCUIT SIZE	MATERIAL (SEE NOTE 1)	DIM. "A"	DIM. "B"	DIM. "C"	STATUS
050-84-1010	42021-1A	1	A				ACTIVE
050-84-1011	42021-1B	1	B	1.090	.290	----	VOID
050-84-1015	42021-1C	1	C	(27.69)	(7.37)		ACTIVE
366430001	36643-001	1	E				ACTIVE
050-84-1020	42021-2A	2	A				ACTIVE
050-84-1021	42021-2B	2	B	1.087	.580	.300	VOID
050-84-1025	42021-2C	2	C	(27.61)	(14.73)	(7.62)	ACTIVE
366430002	36643-002	2	E				ACTIVE
050-84-1030	42021-3A	3	A				ACTIVE
050-84-1031	42021-3B	3	B	1.087	.580	.300	VOID
050-84-1035	42021-3C	3	C	(27.61)	(14.73)	(7.62)	ACTIVE
366430003	36643-003	3	E				ACTIVE
050-84-1040	42021-4A	4	A				ACTIVE
050-84-1041	42021-4B	4	B	1.087	.580	.300	VOID
050-84-1045	42021-4C	4	C	(27.61)	(14.73)	(7.62)	ACTIVE
366430004	36643-004	4	E				ACTIVE
050-84-1060	42021-6A	6	A				ACTIVE
050-84-1061	42021-6B	6	B	1.087	1.080	.800	VOID
050-84-1065	42021-6C	6	C	(27.61)	(27.43)	(20.32)	ACTIVE
366430005	36643-005	6	E				ACTIVE
PRELIMINARY	42021-8A	8	A	1.087	.580	.300	ACTIVE
PRELIMINARY	42021-8B	8	B	(27.61)	(14.73)	(7.62)	ACTIVE
PRELIMINARY	42021-8C	8	C				ACTIVE
050-84-1090	42021-9A	9	A				ACTIVE
050-84-1091	42021-9B	9	B	1.087	1.080	.800	VOID
050-84-1095	42021-9C	9	C	(27.61)	(27.43)	(20.32)	ACTIVE
366430006	36643-006	9	E				ACTIVE
050-84-1120	42021-12A	12	A				ACTIVE
050-84-1121	42021-12B	12	B	1.087	1.080	.800	VOID
050-84-1125	42021-12C	12	C	(27.61)	(27.43)	(20.32)	ACTIVE
366430007	36643-007	12	E				ACTIVE
050-84-1150	42021-15A	15	A				ACTIVE
050-84-1151	42021-15B	15	B	1.087	1.080	.800	VOID
050-84-1155	42021-15C	15	C	(27.61)	(27.43)	(20.32)	ACTIVE
366430008	36643-008	15	E				ACTIVE
366480001	36648-001	1	D		.290(7.37)	----	ACTIVE
366480002	36648-002	2	D	1.079	.580	.300	ACTIVE
366480003	36648-003	3	D	(27.43)	(14.73)	(7.62)	ACTIVE
366480004	36648-004	4	D				ACTIVE
366480005	36648-005	6	D				ACTIVE
366480006	36648-006	9	D	1.079	1.080	.800	ACTIVE
366480007	36648-007	12	D	(27.43)	(27.43)	(20.32)	ACTIVE
366480008	36648-008	15	D				ACTIVE
366410001	36641-001	4	D	1.090	.580(14.73)	.300(7.62)	OBSOLETE
366410002	36641-002	9	D	(27.69)	1.080(27.43)	.800(20.32)	OBSOLETE

**NOTES:**

- 1) MATERIAL CODES:  
 "A"= NYLON TYPE 6/6, 94V-2  
 COLOR: NATURAL (WHITE/TRANSLUCENT)  
 "B"= NYLON TYPE 6/6, 94V-0  
 COLOR: (BRICK RED)  
 "C"= NYLON TYPE 6/6, 94V-0  
 COLOR: NATURAL (WHITE)  
 "D"= NYLON, 94V-2  
 COLOR: BLACK (ZYTEL 101F)  
 "E"= NYLON 94V-2  
 COLOUR:NATURAL  
 GLOW WIRE COMPATIBLE WITH CTI OF 325 VOLTS,  
 ACCORDING TO IEC 60335-4TH EDITION
- 2) UNLESS OTHERWISE INDICATED, DIMENSIONS ARE FOR REFERENCE ONLY.
- 3) PLUG HOUSINGS MATE WITH :  
 - CAP HOUSINGS, .084/(2.13) DIA. SERIES: (42022-\*\*\*)  
 - HEADER ASSEMBLY HOUSINGS, .084/(2.13) DIA. SERIES: (A-42002-\*\*\*\*\*)
- 4) HOUSINGS DESIGNED TO BE USED WITH TERMINALS :  
 - PINS, .084/(2.13) DIA. SERIES: (42023-\*\*\*\*\*)  
 - SOCKETS, .084/(2.13) DIA. SERIES: (42024-\*\*\*\*\*)
- 5) CONTACTS ARE ON .250/(6.35) GRID CENTERLINE SPACING.
- 6) PRODUCT SPECIFICATION PS-42022-0001 APPLIES.
- 7) LEGEND SCHEME IS NOT APPLICABLE FOR GLOW WIRE COMPATIBLE PART NUMBERS

**LEGEND:**



10	9	8	7	6	5	4	3	2	1
fb_frame_A2_P_AM_T									
Rev. E 2006/04/15									

<b>ENTER DESCRIPTION</b> EC NO: I2010-0674 DRWN: SNS01 CHKD: GWF APPR: KPRASAD 2010/06/11 87/11/16 2010/06/22	<b>QUALITY SYMBOLS</b> ▽=0 ▽=0	<b>GENERAL TOLERANCES (UNLESS SPECIFIED)</b> <table border="1"> <tr> <th></th> <th>mm</th> <th>INCH</th> </tr> <tr> <td>4 PLACES</td> <td>± .010</td> <td>± .0004</td> </tr> <tr> <td>3 PLACES</td> <td>± .025</td> <td>± .0010</td> </tr> <tr> <td>2 PLACES</td> <td>± .036</td> <td>± .0014</td> </tr> <tr> <td>1 PLACE</td> <td>± .050</td> <td>± .0020</td> </tr> </table>		mm	INCH	4 PLACES	± .010	± .0004	3 PLACES	± .025	± .0010	2 PLACES	± .036	± .0014	1 PLACE	± .050	± .0020	<b>DIMENSION STYLE</b> IN/MM	<b>SCALE</b> 1:1	<b>DESIGN UNITS</b> INCH	<b>THIRD ANGLE PROJECTION</b>
		mm	INCH																		
	4 PLACES	± .010	± .0004																		
	3 PLACES	± .025	± .0010																		
2 PLACES	± .036	± .0014																			
1 PLACE	± .050	± .0020																			
<b>REVISIONS</b> C5	DRAFT WHERE APPLICABLE MUST REMAIN WITHIN DIMENSIONS	<table border="1"> <tr> <th>DESCRIPTION</th> <th>DATE</th> </tr> <tr> <td>DRAWN BY</td> <td>87/11/16</td> </tr> <tr> <td>CHECKED BY</td> <td>87/11/16</td> </tr> <tr> <td>APPROVED BY</td> <td>87/11/16</td> </tr> </table>	DESCRIPTION	DATE	DRAWN BY	87/11/16	CHECKED BY	87/11/16	APPROVED BY	87/11/16	<table border="1"> <tr> <th>TITLE</th> <th>DATE</th> </tr> <tr> <td>HOUSING, PLUG .084/(2.13) DIA. SERIES</td> <td>87/11/16</td> </tr> </table>	TITLE	DATE	HOUSING, PLUG .084/(2.13) DIA. SERIES	87/11/16	<b>MOLEX INCORPORATED</b>	<b>SD-42021-***</b>	<b>SHEET NO.</b> 2 OF 2			
DESCRIPTION	DATE																				
DRAWN BY	87/11/16																				
CHECKED BY	87/11/16																				
APPROVED BY	87/11/16																				
TITLE	DATE																				
HOUSING, PLUG .084/(2.13) DIA. SERIES	87/11/16																				
<b>SEE TABLE</b>		<b>THIS DRAWING CONTAINS INFORMATION THAT IS PROPRIETARY TO MOLEX INCORPORATED AND SHOULD NOT BE USED WITHOUT WRITTEN PERMISSION</b>																			