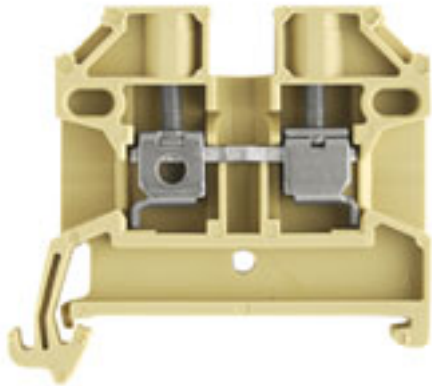


**SAK terminal with screw connection**  
**SAK 2.5/35**

**Weidmüller Interface GmbH & Co. KG**  
Klingenbergstraße 16  
D-32758 Detmold  
Germany  
Fon: +49 5231 14-0  
Fax: +49 5231 14-2083  
www.weidmueller.com



The Weidmüller SAK feed-through terminals satisfy the requirements of IEC 60947-1 and are available with rated cross-sections from 0.08 mm<sup>2</sup> to 240 mm<sup>2</sup>.

**General ordering data**

Order No.	<a href="#">0380460000</a>
Type	SAK 2.5/35
Version	SAK terminal with screw connection, Feed-through terminal, Rated cross-section: 2.5 mm <sup>2</sup> , Screw connection, PA 66, beige, Direct mounting
GTIN (EAN)	4008190042363
Qty.	100 pc(s).

## SAK terminal with screw connection SAK 2.5/35

**Weidmüller Interface GmbH & Co. KG**  
Klingenbergstraße 16  
D-32758 Detmold  
Germany  
Fon: +49 5231 14-0  
Fax: +49 5231 14-2083  
www.weidmueller.com

### Technical data

#### Dimensions

Length	44.5 mm	Width	6.1 mm
Height	40 mm	Height of lowest version	40 mm
Net weight	6.33 g		

#### Temperatures

Operating temperature		Storage temperature	
Continuous operating temp., min.	-50 °C	Continuous operating temp., max.	100 °C

#### Rated data IECEx/ATEX

Certificate No. (ATEX)	KEMA97ATEX1798U	ATEX certificate	IECExKEM06.0014U
ATEX certificate	KEMA97ATEX1798U_e.pdf	Certificate No. (IECEX)	IECExKEM06.0014U
IEC Ex certificate	IECExKEM06.0014U_e.pdf	max. voltage	550 V
Current (ATEX)	21 A	Wire cross section max. (ATEX)	2.5 mm <sup>2</sup>
max. voltage	550 V	Current (IECEX)	21 A
Wire cross section max. (IECEX)	2.5 mm <sup>2</sup>	Voltage, cross-connection	CrossConnectionGuide.pdf
Operating temperature range	For operating temperature range see EC Design Test Certificate / IEC Ex-Certificate of Conformity	Marking EN 60079-7	
Marking ATEX Directive 94/9/EC	II 2 G D		Ex e II

#### Additional technical data

Explosion-tested version	Yes	Installation advice	Direct mounting
Number of similar terminals	1	Open sides	right
Type of mounting	Snap-on	Version	Double terminal

#### CSA ratings data

Certificate No. (CSA)	12400-129	Voltage size C (CSA)	600 V
Current size C (CSA)	25 A	Wire cross section max. (CSA)	10 AWG
Wire cross section min. (CSA)	26 AWG		

#### Clampable wires (additional connection)

Conductor cross-section, flexible plus plastic collar DIN 46228/1, further connection, min.	0.5 mm <sup>2</sup>	Conductor cross-section, flexible plus plastic collar DIN 46228/1, further connection, max.	4 mm <sup>2</sup>
---	---------------------	---	-------------------

## SAK terminal with screw connection SAK 2.5/35

**Weidmüller Interface GmbH & Co. KG**  
Klingenbergstraße 16  
D-32758 Detmold  
Germany  
Fon: +49 5231 14-0  
Fax: +49 5231 14-2083  
www.weidmueller.com

### Technical data

#### Clampable wires (rated connection)

Type of connection	Screw connection	Stripping length	10 mm
Blade size	0.6 x 3.5 mm	Connection direction	on side
Number of connections	2	Clamping range, rated connection, min.	0.13 mm <sup>2</sup>
Clamping range, rated connection, max.	6 mm <sup>2</sup>	Clamping screw	M 2.5
Tightening torque, min.	0.4 Nm	Tightening torque, max.	0.6 Nm
Torque level with DMS electric screwdriver	1	Gauge to IEC 60947-1	A3
Wire connection cross section, solid core, max. rated connection	0.5 mm <sup>2</sup>	Wire connection cross section, solid core max. rated connection	6 mm <sup>2</sup>
Wire connection cross section, stranded, rated connection, min.	0.5 mm <sup>2</sup>	Wire connection cross section, stranded, rated connection, max.	4 mm <sup>2</sup>
Wire connection cross section, finely stranded, max.	4 mm <sup>2</sup>	Wire connection cross-section, finely stranded, min.	0.5 mm <sup>2</sup>
Wire connection cross section, finely stranded with wire-end ferrules DIN 46228/1, rated connection, min.	0.5 mm <sup>2</sup>	Wire connection cross section, finely stranded with wire-end ferrules DIN 46228/1, rated connection, max.	4 mm <sup>2</sup>
Cross-section for connected conductor, finely stranded with wire-end ferrules and plastic collars DIN 46228/4, rated connection, min.	0.5 mm <sup>2</sup>	Wire connection cross-section, finely stranded with wire-end ferrules and plastic collars DIN 46228/4, rated connection, max.	4 mm <sup>2</sup>
Twin wire-end ferrules, min.	0.5 mm <sup>2</sup>	Twin wire-end ferrules, max.	1.5 mm <sup>2</sup>
Wire connection cross section AWG, min.	AWG 26		

#### Rated data

Rated cross-section	2.5 mm <sup>2</sup>	Rated voltage	800 V
Rated impulse withstand voltage	8 kV	Rated current	24 A
Current at maximum wires	41 A	Standards	IEC 60947-7-1
Pollution severity	3		

#### UL ratings data

Certificate No. (UR)	E60693VOL1SEC14	Voltage size C (UR)	600 V
Current size C (UR)	20 A	Conductor size Factory wiring max. (UR)	12 AWG
Conductor size Factory wiring min. (UR)	22 AWG	Conductor size Field wiring max. (UR)	12 AWG

#### Material data

Insulating material	PA 66	Material	PA 66
Colour	Beige	Flammability class UL 94	V-2

#### System specifications

Product family	SAK terminal with screw connection	Type of connection	Screw connection
Connection direction	on side	Number of levels	1
Number of connections	2	No. of clamping points per level	2
Levels cross-connected internally	No	End cover plate required	Yes

#### Classifications

ETIM 2.0	EC000897	ETIM 3.0	EC000897
UNSPSC	30-21-18-11	eClass 4.1	27-14-11-20
eClass 5.1	27-14-11-20	eClass 6.0	27-14-11-20
eClass 7.0	27-14-11-20		

Creation date May 30, 2012 9:34:16 AM CEST

**SAK terminal with screw connection  
SAK 2.5/35**

**Weidmüller Interface GmbH & Co. KG**  
Klingenbergstraße 16  
D-32758 Detmold  
Germany  
Fon: +49 5231 14-0  
Fax: +49 5231 14-2083  
www.weidmueller.com

**Technical data****Product information**

Descriptive text technical data      With twin ferrules ZH 0.5 to ZH 1.5, rated voltage is 690 V.

**Downloads**

DXF      [22364\\_SAK\\_2.5-35\\_DXF.dxf](#)  
STEP      [0380460000\\_22364\\_SAK\\_2.5-35\\_STP.stp](#)  
[3-D model](#)

**SAK terminal with screw connection  
SAK 2.5/35**

**Weidmüller Interface GmbH & Co. KG**  
Klingenbergstraße 16  
D-32758 Detmold  
Germany  
Fon: +49 5231 14-0  
Fax: +49 5231 14-2083  
www.weidmueller.com

**Accessories**

**Test plugs**

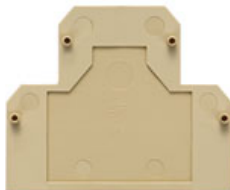


The solution with Weidmüller test plugs and sockets guarantees a proper test of the installation.

**General ordering data**

Order No.	Type	Version	GTIN (EAN)	Qty.
<a href="#">0180400000</a>	PS 2.3 RT	General accessories, Test plug	4008190060121	20 pc(s).

**AP end cover plates**



Apart from a few exceptions, the last terminal in a terminal strip must be closed off with an AP end plate. End plates must also be used within a terminal strip when it makes use of terminals of different sizes . The overall dimensions of the end plates match the external dimensions of the associated terminal. The end plate is held in place by the end bracket.

**General ordering data**

Order No.	Type	Version	GTIN (EAN)	Qty.
<a href="#">0279560000</a>	AP SAK2.5	SAK Series, End plate, 1.5 mm, Beige, Direct mounting	4008190075736	20 pc(s).
<a href="#">0302860000</a>	TW SAK2.5	SAK Series, Partition plate, Beige, 1.5 mm	4008190032968	20 pc(s).

**SAK terminal with screw connection  
SAK 2.5/35**

**Weidmüller Interface GmbH & Co. KG**  
Klingenbergstraße 16  
D-32758 Detmold  
Germany  
Fon: +49 5231 14-0  
Fax: +49 5231 14-2083  
www.weidmueller.com

**Accessories**

**AD 3 (3-pole)**



Electrical systems should always be operated in a safe condition. Weidmüller therefore has a large range of covers and marking materials.

**General ordering data**

Order No.	Type	Version	GTIN (EAN)	Qty.
<a href="#">0297900000</a>	AD 3 SAK2.5	SAK Series, cover plate, Yellow, 18 mm	4008190038229	50 pc(s).

**Plastic screws**



Electrical systems should always be operated in a safe condition. Weidmüller therefore has a large range of covers and marking materials.

**General ordering data**

Order No.	Type	Version	GTIN (EAN)	Qty.
<a href="#">0128900000</a>	BFSC M3X22 PA/RT	General accessories, Fixing screw, for cross-connection link, 22 mm	4008190084158	100 pc(s).

**SAK terminal with screw connection  
SAK 2.5/35**

**Weidmüller Interface GmbH & Co. KG**  
 Klingenbergstraße 16  
 D-32758 Detmold  
 Germany  
 Fon: +49 5231 14-0  
 Fax: +49 5231 14-2083  
 www.weidmueller.com

**Accessories**
**Custom printing**


The **dekafix (DEK)** marker is the universal marker for all conductor and plug-in connectors as well as for electronics modules. The system is ideal for small groups of consecutive numbers and covers a large range of ready-printed markers.

Being mounted as strips means that they are quickly clipped on in one operation. The printing is legible with good contrast, and is available in five widths.

- Large selection of ready-to-use markers
- In strips for fast installation
- Connector markers are suitable for all Weidmüller conductor connectors
- Available as blank cards, MultiCard or as cards with standard printing

**General ordering data**

Order No.	Type	Version	GTIN (EAN)	Qty.
<a href="#">1609830000</a>	DEK 5/6 MC BEDRUCKT	Terminal markers, MultiCard, 5 x 6 mm, Polyamide 66, Colour: To customer specification	4008190456603	200 pc(s).

**Q ... SAK**


This type of cross-connection has a pre-assembled captive cross-connection lug, cross-connection sleeve and fixing screw.

All the individual parts are available separately on request. During installation, the pre-assembled cross-connectors are simply placed in the cross-connection slot in the middle of the terminal and screwed tight.

**General ordering data**

Order No.	Type	Version	GTIN (EAN)	Qty.
<a href="#">0337100000</a>	Q 3 SAK2.5	SAK Series, Cross-connector, for cross-connection link, No. of poles: 3	4008190015411	50 pc(s).
<a href="#">0337000000</a>	Q 2 SAK2.5	SAK Series, Cross-connector, for cross-connection link, No. of poles: 2	4008190005801	50 pc(s).
<a href="#">0337200000</a>	Q 4 SAK2.5	SAK Series, Cross-connector, for cross-connection link, No. of poles: 4	4008190142902	50 pc(s).

**SAK terminal with screw connection  
SAK 2.5/35**

**Weidmüller Interface GmbH & Co. KG**  
Klingenbergstraße 16  
D-32758 Detmold  
Germany  
Fon: +49 5231 14-0  
Fax: +49 5231 14-2083  
www.weidmueller.com

**Accessories**

**TSCH**



In order to maintain the rated voltage it is necessary to use the partition walls TW or the partition discs TSch in the products WDL, SAKT und WTL.

**General ordering data**

Order No.	Type	Version	GTIN (EAN)	Qty.
<a href="#">0319160000</a>	TSCH 1	General accessories, Small partition, Beige, 2 mm	4008190097219	100 pc(s).

**StB 5.5 ... 17**



The SAKR disconnect terminals are available already fitted with sockets (see disconnect terminals). The sockets are equipped with a slit so that they can be actuated with a screwdriver. Weidmüller can supply special screwdrivers with a shoulder for this purpose.

**General ordering data**

Order No.	Type	Version	GTIN (EAN)	Qty.
<a href="#">0280600000</a>	STB 8.5/5/2.3/M3 SAK2.5	General accessories, Socket	4008190023188	50 pc(s).



**SAK terminal with screw connection  
SAK 2.5/35**

**Weidmüller Interface GmbH & Co. KG**  
Klingenbergstraße 16  
D-32758 Detmold  
Germany  
Fon: +49 5231 14-0  
Fax: +49 5231 14-2083  
www.weidmueller.com

**Accessories**

**Blank**



The **dekafix (DEK)** marker is the universal marker for all conductor and plug-in connectors as well as for electronics modules. The system is ideal for small groups of consecutive numbers and covers a large range of ready-printed markers.

Being mounted as strips means that they are quickly clipped on in one operation. The printing is legible with good contrast, and is available in five widths.

- Large selection of ready-to-use markers
- In strips for fast installation
- Connector markers are suitable for all Weidmüller conductor connectors
- Available as blank cards, MultiCard or as cards with standard printing

**General ordering data**

Order No.	Type	Version	GTIN (EAN)	Qty.
<a href="#">1609820000</a>	DEK 5/6 MC NEUTRAL	Terminal markers, MultiCard, 5 x 6 mm, Polyamide, Colour: White	4008190203436	1,000 pc(s).