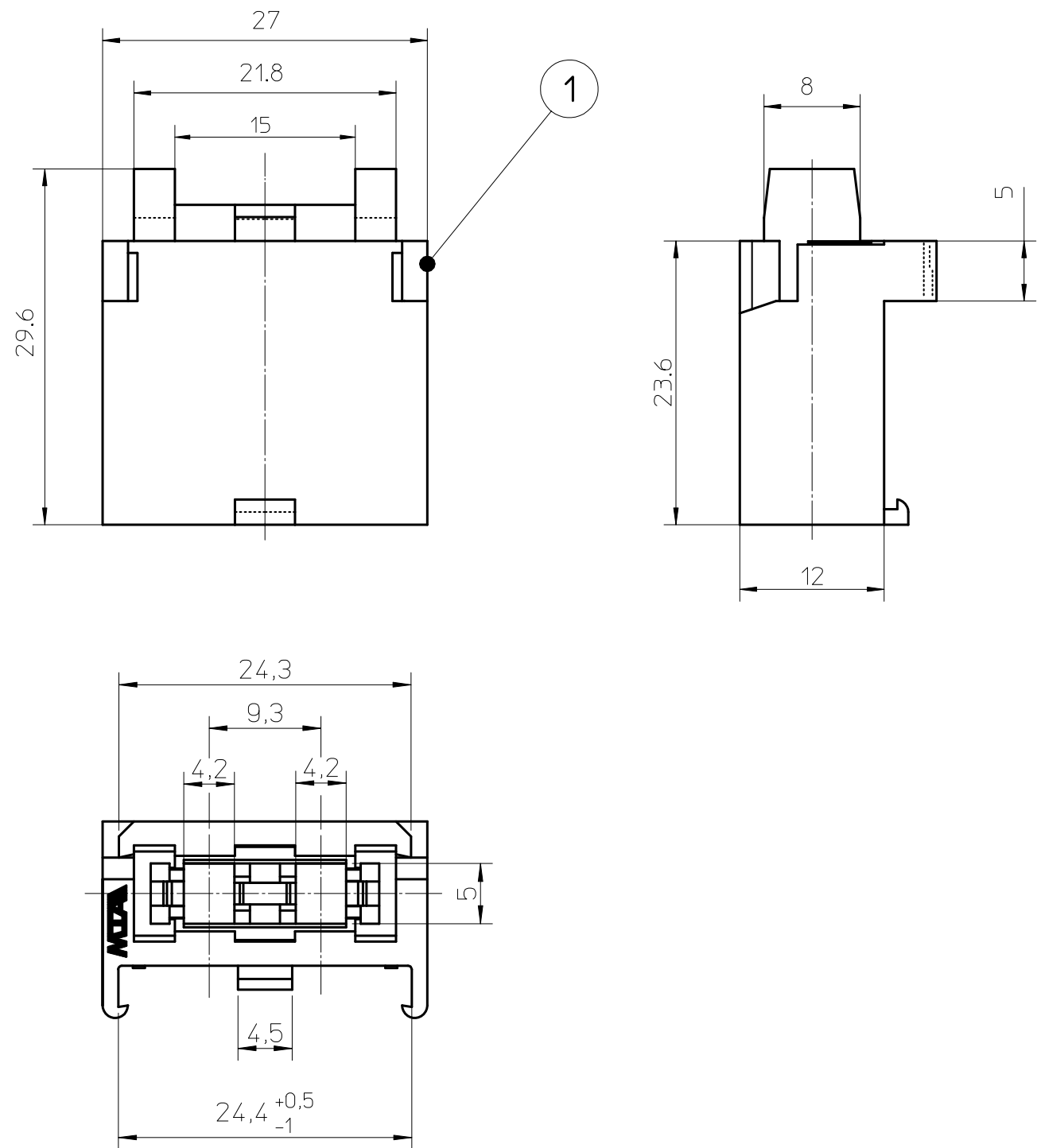
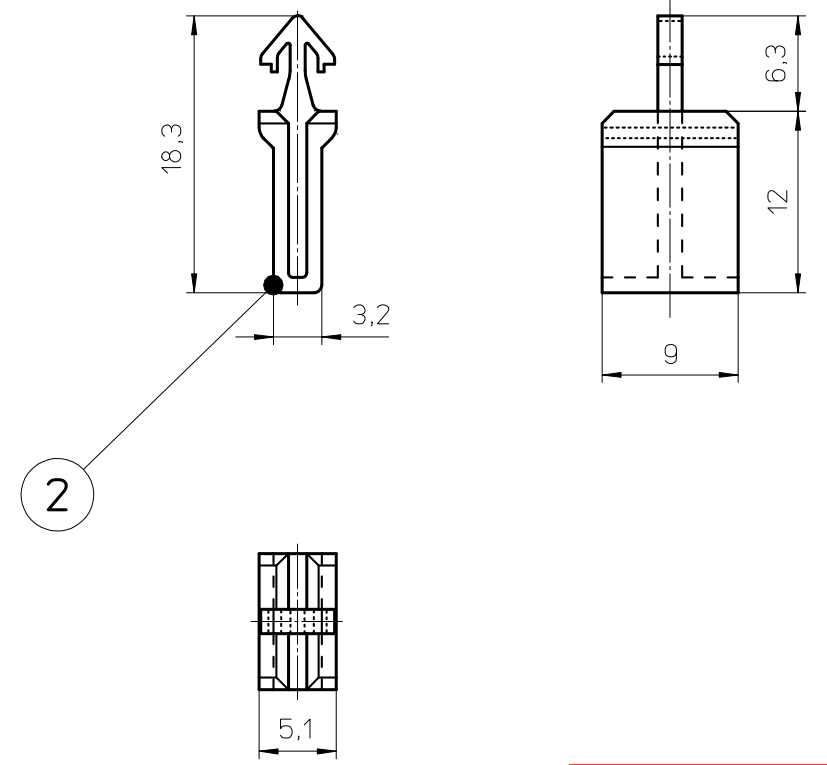


All proprietary rights reserved by MTA S.p.A. - This drawing shall not be reproduced, or in any way utilized, for the manufacture of the component or unit herein illustrated and must not be released to other parties, without written consent. Any infringement will be legally pursued.



REV	DESCRIPTION	DATE	NAME
5			
4	MODIFY ENGAGEMENT TOOTH FOR MOOD REVISION	27.01.2010	A.VISIGALLI
3	OPERATING FEATURES ADDED	15.01.2004	S.BEDUSCHI
2	//	//	//
1	//	//	//



UNCONTROLLED COPY
in case of drawing updating/revision
NO AUTOMATIC
resubmission will follow

OPERATING FEATURES		
FEATURE	UNIT	VALUE
V max	V	32
T. min - T. max	°C	-40 / +100
IP	IEC 529	20
I Continuous	A	32

2	1	SECONDARY LOCK	PA 66 - YELLOW COLOR
1	1	BODY	PA 66 - BLACK COLOR
Pos.	Q.ty	DENOMINATION	MATERIAL
		MTA P/N 0300354/20 Draw No. B0-100.C03B Rel. Level APPROVED Date 09/03/1992 Name L.BASSI Chk 31/01/2012 E.UGGERI PQApp 31/01/2012 M.ROSSI App. 31/01/2012 M.CORBANI	Denom. FUSEHOLDER UNIVAL Used for Relevant Standard Material SEE TABLE Coating Color SEE TABLE
		Scale 2:1 Weight(g) 35 Lin.Tol.± 0.5 Ang.Tol.± 1 Dimensions in (mm) Sheet 1/1	Thick. Width
5 TOLERANCE ADDED ON DIMENSION 24.4mm			
No.	Reason for Revision		Date 31/01/2012 Name E.UGGERI