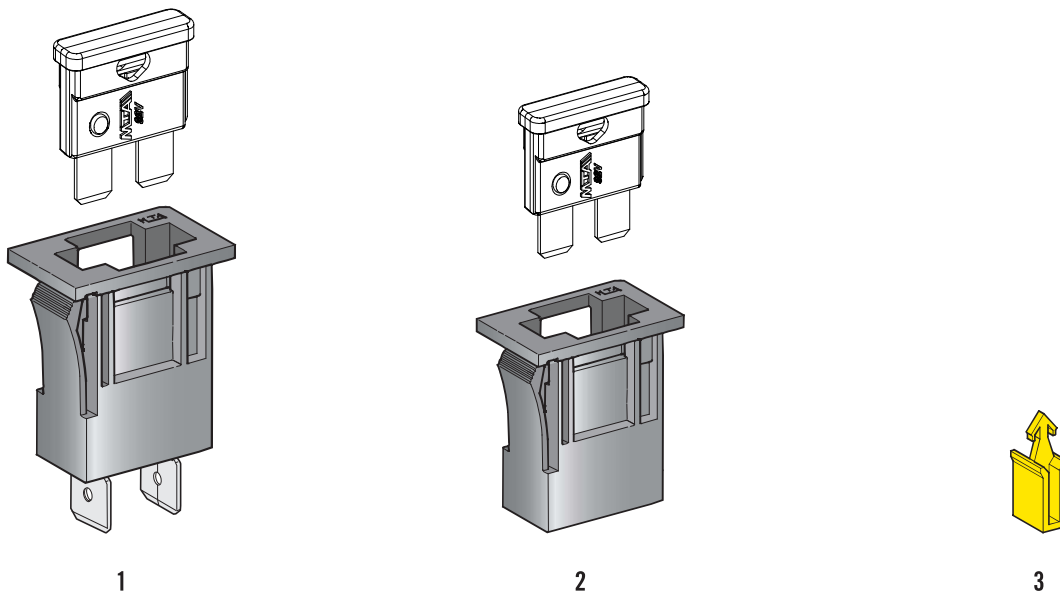
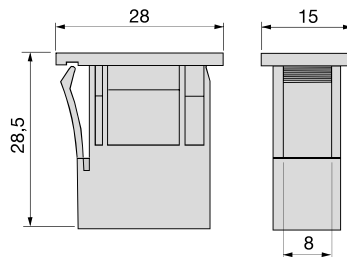


UNIVAL® INSERTABLE HOLDER



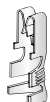
IMG	DESCRIPTION	WAY	MATERIAL	COLOUR	P/N BOX	M.O.Q.	P/N BULK	M.O.Q.
1	HOLDER WITH TERMINALS	1	PA66 GF25	Black	0100330	25	0300330	500
2	HOLDER WITHOUT TERMINALS	1	PA66 GF25	Black			0300331	1000
3	SECONDARYLOCK		PA66	Yellow			0300357	250



CONNECTIONS AND FIXINGS



UNI F630



UNI F630

IMG 2 2