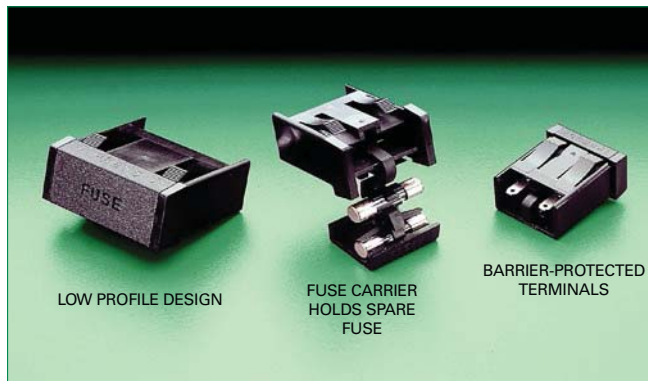
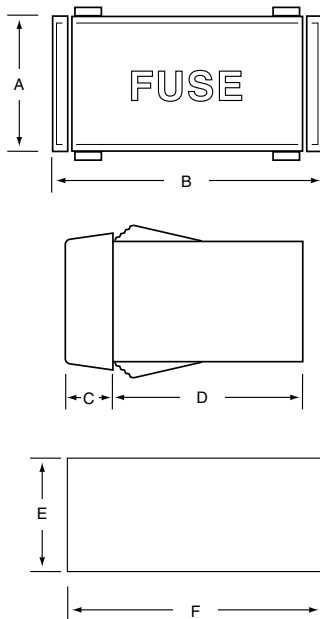


286/346 Series Flip-Top Shock-Safe Panel Mount Fuse Holders



Dimensions



Product Characteristics

Compatible Fuses	For 3AG, 5x20mm, or 2AG Fuses
Features	<ul style="list-style-type: none"> Shock-Safe design eliminates any possibility of electrical shock, per IEC Standards 60127 and 60065. Fuse carrier holds spare fuse for fast, easy fuse replacement and convenient servicing. Low profile design
Electrical	Rating: See TABLE. Insulation Resistance: 10,000 megohm minimum at 500 VDC. Contact Resistance: Less than 0.01 ohm.
Mounting	Snap-in mounting. No hardware required. Panel thickness range: .032" through .125"
Molded Parts	Thermoplastic (UL94 V-0) black standard (other colors available as special).
Fuse Carrier	Spring-loaded. Unlocks with a press of the finger. Locks into place to prevent accidental circuit interruption. Permanently attached to fuseholder body to prevent loss. Extracts fuse from live terminals. Holds spare fuse.
Terminals	Copper alloy, tin plate. Accepts quick-connect or solder.
Ambient Temperature	-40°C to +85°C.
Vibration	10-55-10 Hz at .06" double amplitude (Method 201, MIL-STD-202).

Agency Approvals

Agency	Agency File Number
	E14721
	007316

* Ensure that proper fuse de-rating is factored in fuseholder selection.

Ordering Information

Catalog Number	Fuse Size	Q.C. Terminals	Max. Amps At 250V.	A	B	C	D	E +.005"/-.000"	F +.005"/-.000"
346 877	3AG	.250" x .032" .072" Dia. Hole	15	.75"	1.5"	.27"	1.04"	.688"	1.445"
286 677	5 x 20mm	.187" x .032" .055" Dia. Hole	10	.70"	1.03"	.26"	.94"	.625"	.953"
286 377	2AG	.110" x .020" .048" Dia. Hole	10	.61"	.85"	.20"	.87"	.550"	.775"