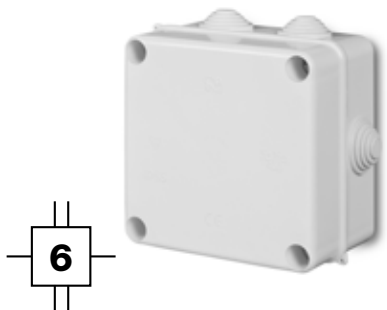


# INSTALLATION BOXES SURFACE-MOUNTED EP-LUX TYPE PK

IP 55 650 °C 400 V PP



## BOX N/T HERMETIC PK-5 EP-LUX IP 55

Type	Colour	Pack. pcs.	Weight Pack./Kgs	Index
PK-5	White RAL 9003	6	24,30	<b>0252-00</b>
	Grey RAL 7035*	6	24,30	<b>0252-04</b>

NORM: PN-IEC-60998-1:2006.  
 Number of entries: 6 – cable glands.  
 Inside dimensions: 125x125x42 mm  
 Dimensions: 133x133x83 mm

