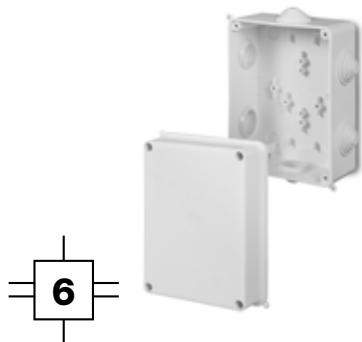


INSTALLATION BOXES SURFACE-MOUNTED EP-LUX TYPE PK

IP 55 650 °C 400 V PP



BOX N/T HERMETIC PK-6 EP-LUX IP 55

Type	Colour	Pack. pcs.	Weight Pack./Kgs	Index
PK-6	White RAL 9003	6	22,56	0227-00
	Grey RAL 7035*	6	22,56	0227-04

NORM: PN-IEC-60998-1:2006.
 Number of entries: 6 – cable glands.
 Inside dimensions: 108x147x86 mm
 Dimensions: 158x118x94 mm

