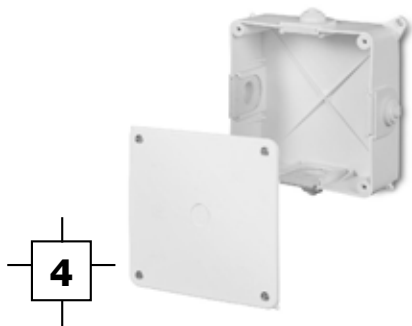


# INSTALLATION BOXES SURFACE-MOUNTED EP-LUX TYPE PK

IP 20 650 °C 400 V PP



## BOX N/T PK-4 IP 20

Type	Colour	Pack. pcs.	Weight Pack./Kgs	Index
PK-4 IP20	White RAL 9003	6	19,3	<b>0217-00</b>

NORM: PN-IEC-60998-1:2006.  
 Number of entries: 4 – cable glands.  
 Inside dimensions: 126x126x46 mm  
 Dimensions: 134x134x50 mm

