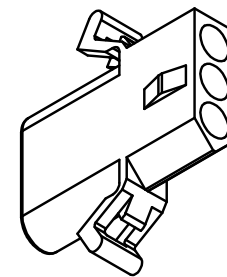
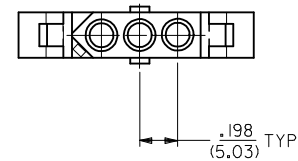
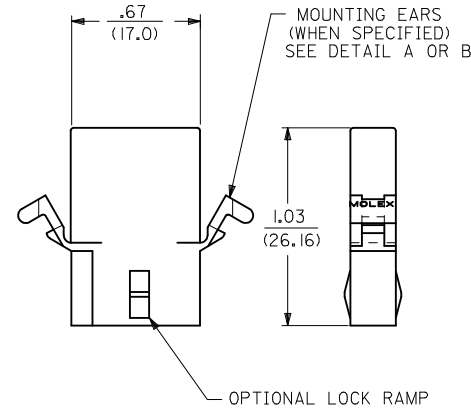
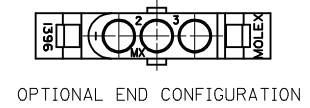
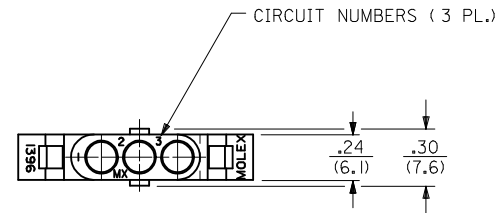


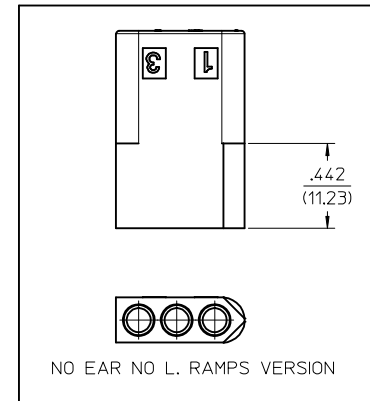
### PLUG

SHOWN ABOVE WITH STANDARD MOUNTING EAR



### RECEPTACLE

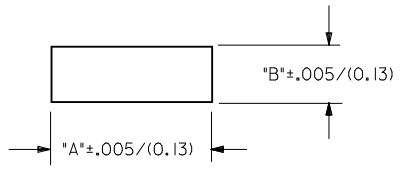
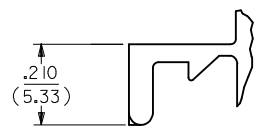
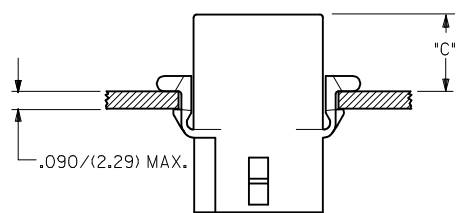
SHOWN WITH PREBENT EAR



<b>ADD VIEW (NO EAR V.)</b> EC NO: UCP2014-2369 DRW: NAEHAG 2013/12/03 CHKD: JEBLL 2013/12/03 APPR: FSMITH 2013/12/05	QUALITY SYMBOLS ▽=0 ▽=0	GENERAL TOLERANCES (UNLESS SPECIFIED) <table border="1"> <tr> <th></th> <th>mm</th> <th>INCH</th> </tr> <tr> <td>4 PLACES</td> <td>± .10</td> <td>± .004</td> </tr> <tr> <td>3 PLACES</td> <td>± .10</td> <td>± .010</td> </tr> <tr> <td>2 PLACES</td> <td>± 0.25</td> <td>± .014</td> </tr> <tr> <td>1 PLACE</td> <td>± 0.35</td> <td>± .014</td> </tr> </table> ANGULAR ±1/2°		mm	INCH	4 PLACES	± .10	± .004	3 PLACES	± .10	± .010	2 PLACES	± 0.25	± .014	1 PLACE	± 0.35	± .014	DIMENSION STYLE <b>IN/MM</b>	SCALE <b>2:1</b>	DESIGN UNITS <b>INCH</b>	THIRD ANGLE PROJECTION
				mm	INCH																
4 PLACES	± .10	± .004																			
3 PLACES	± .10	± .010																			
2 PLACES	± 0.25	± .014																			
1 PLACE	± 0.35	± .014																			
DRAWN BY JJS DATE 1988/04/08	CHECKED BY RW DATE 1988/04/08	APPROVED BY RAS DATE 1988/04/08	TITLE <b>.093/(2.36) HOUSING          PLUG AND RECEPTACLE          3 CIRCUIT .198 CENTERS</b>																		
MATERIAL NO. <b>SEE CHART</b>			DOCUMENT NO. <b>SD-1396-*</b>		SHEET NO. <b>1 OF 2</b>																
DRAFT WHERE APPLICABLE MUST REMAIN WITHIN DIMENSIONS																					
THIS DRAWING CONTAINS INFORMATION THAT IS PROPRIETARY TO MOLEX INCORPORATED AND SHOULD NOT BE USED WITHOUT WRITTEN PERMISSION																					

PLUG		RECEPTACLE	
ORDER NO.	ENG. NO.	ORDER NO.	ENG. NO.
03-09-2031	I396-P	03-09-1031	I396-R
03-09-2032	I396-P1	03-09-1032	I396-R1
03-09-7032	I396-PIBK	03-09-1033	I396-R2
03-09-7031	I396-PBK	03-09-6033	I396-R2BK
03-09-2037	I396-P3	03-09-6032	I396-RIBK
		03-09-6031	I396-RBK
		03-09-1081	I396-R4

HOUSING	DIM. "A"	DIM. "B"	"C" PREBENT EAR	"C" STANDARD EAR
PLUG	.933/(23.70)	.375/(9.53)	.40/(10.2)	.38/(9.7)
RECEPT.	.830/(21.08)	.312/(7.92)	.41/(10.4)	.39/(9.9)



DETAIL A  
STANDARD MOUNTING EAR  
(SCALE 4:1)

**LEGEND:**

I396-\*\*\*\*-\*

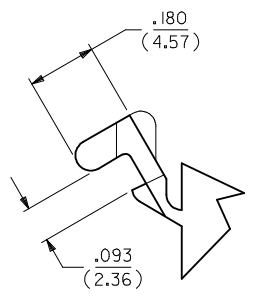
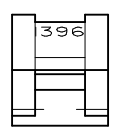
P = PLUG  
R = RECEPTACLE

BLANK = WITH STANDARD EARS  
1 = WITHOUT EARS  
2 = RECEPTACLE WITHOUT EARS, WITHOUT LOCK RAMPS  
3 = PLUG ONLY, W/ SIDE MOUNT (SEE SD-I396-P3)  
4 = WITH PREBENT EARS

COLOR: BLANK=NATURAL COLOR  
AM=AMBER BK=BLACK BU=BLUE  
BN=BROWN GY=GRAY GN=GREEN  
OR=ORANGE RD=RED YW=YELLOW

BLANK = NYLON 6/6, 94V-2

RECOMMENDED PANEL MOUNTING HOLE



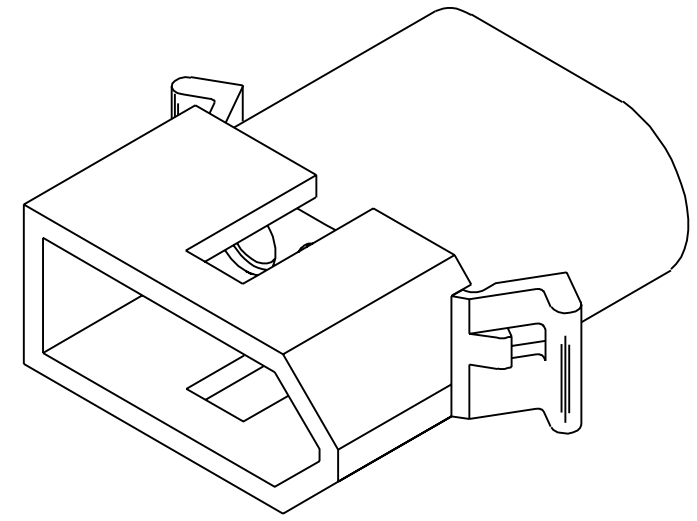
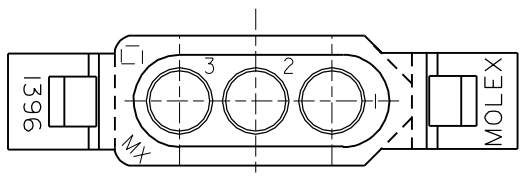
DETAIL B  
PREBENT MOUNTING EAR  
(SCALE 4:1)

**NOTES:**

- MATERIAL: SEE LEGEND
- FINISH: NOT APPLICABLE
- PRODUCT SPECIFICATION: PS-02-09
- PACKAGING INFORMATION: REFER TO PK-1396-001
- DIMENSION FROM THE BACK OF THE HOUSING TO THE END OF BRUSH ON WIRE INSERTED INTO THE HOUSING:  
DIM "A" = .256/6.50 FOR 42477 & 42478 TERMINALS  
.216/5.49 FOR ALL OTHER .093 TERMINALS  
DIM "B" = .377/9.58 FOR 42477 & 42478 TERMINALS  
.337/8.56 FOR ALL OTHER .093 TERMINALS
- CIRCUIT I.D. NUMBERS ON SIDE OF HOUSING APPEAR ON PARTS FROM TOOLS BUILT AFTER 5/4/93.

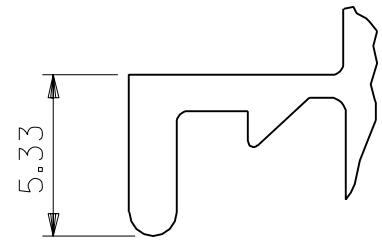
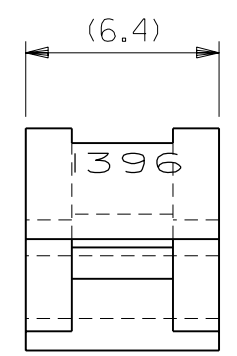
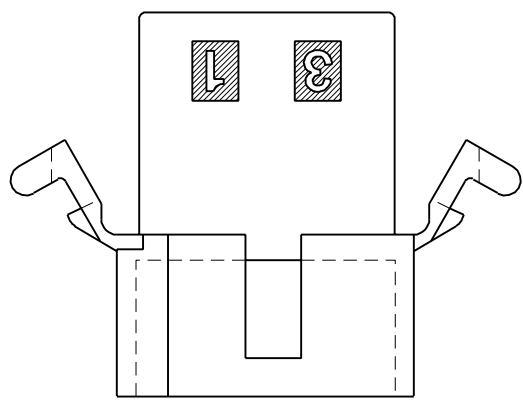
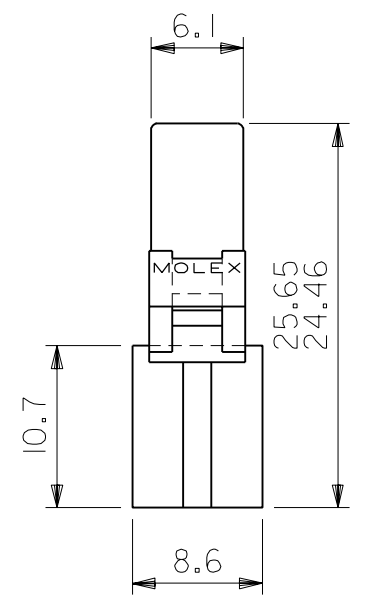
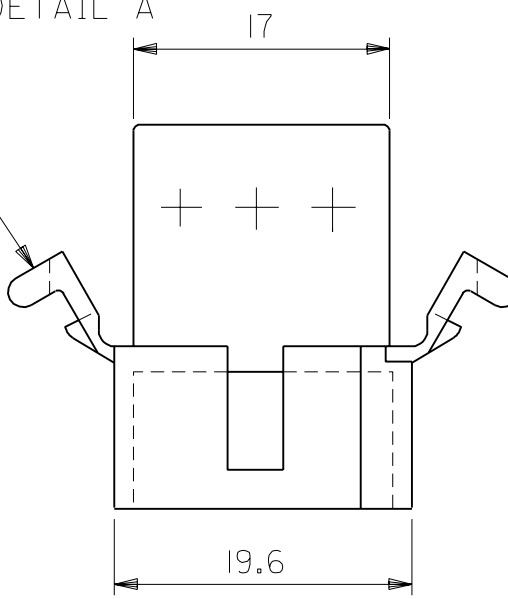
REMOVE UV MAT'L & P/NS EC NO: UCP2014-2206 DRAWN:RHOLTS 2004/10/22 CHKD:FSMITH 2013/11/21 APPR:FSMITH 2013/11/25	QUALITY SYMBOLS ▽=0 ▽=0	GENERAL TOLERANCES (UNLESS SPECIFIED)		DIMENSION STYLE IN/MM		SCALE 2:1	DESIGN UNITS INCH	THIRD ANGLE PROJECTION		
		4 PLACES ± --- ± ---	3 PLACES ± --- ± .010	2 PLACES ± 0.25 ± .014	1 PLACE ± 0.35 ± ---	ANGULAR ± 1/2°	DRAWN BY JJS	DATE 1988/04/08	CHECKED BY RW	DATE 1988/04/08
DRAFT WHERE APPLICABLE MUST REMAIN WITHIN DIMENSIONS		SEE CHART		APPROVED BY RAS		DATE 1988/04/08	MATERIAL NO. SD-1396-*			
SIZE C		THIS DRAWING CONTAINS INFORMATION THAT IS PROPRIETARY TO MOLEX INCORPORATED AND SHOULD NOT BE USED WITHOUT WRITTEN PERMISSION						DOCUMENT NO. SD-1396-*		SHEET NO. 2 OF 2

DWG. NO.  
SD-1396-002

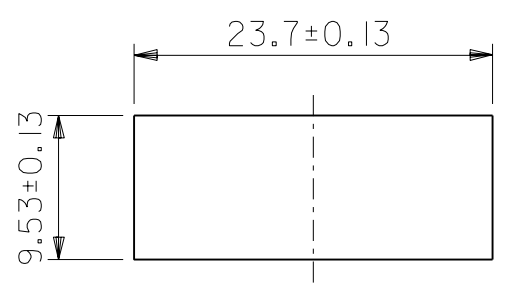
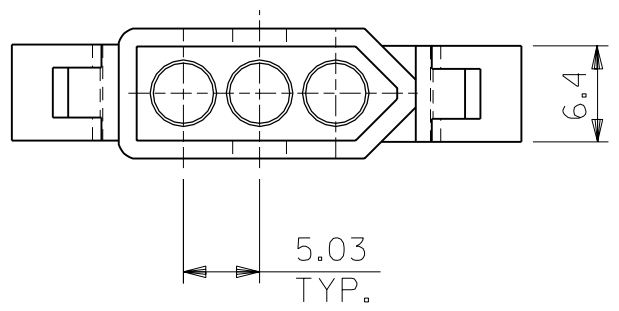


PLUG

MT'G EARS (表参照)  
参照 DETAIL A



DETAIL A  
(SCALE 4:1)



パネル取付穴寸法  
(パネル厚 2.29最大)

1396P1	03-09-2032	無	WITHOUT
1396P	03-09-2031	有	WITH
ENG. NO.	EDP NO.	MT'G EARS	

DO NOT SCALE DRAWING

EC NO.	DRWN:	CH'K:	APPR:	EC NO.	DRWN:	CH'K:	APPR:	EC NO.	DRWN:	CH'K:	APPR:	EC NO.	DRWN:	CH'K:	APPR:

RELEASED  
EC NO. JC2001-0078  
DRWN: K.KOHAMA '00/08/28  
CH'K: T.YAMAGUCHI  
APPR: M.FUKUSHIMA

MATERIAL 材料	NYLON66 94V-2
FINISH 仕上り	
WIRE RANGE 適用電線範囲	
INS. RANGE 被覆外径	

GENERAL TOLERANCES: (UNLESS SPECIFIED) 一般公差	SCALE 2:1	DESIGN UNITS <input checked="" type="checkbox"/> mm <input type="checkbox"/> INCH	THIRD ANGLE PROJECTION <input checked="" type="checkbox"/> THIRD ANGLE <input type="checkbox"/> FIRST ANGLE
10 UNDER 未満	±0.25 ±0.2	10 OVER 以上	±0.3 ±0.25
30 UNDER 未満	±0.35 ±0.3	30 OVER 以上	±0.35 ±0.3
ANGLE 角度	±3°		

MODEL NO.	03-09-2***	DIMENSIONS:	SHT	REV
SCALE	2:1	<input type="checkbox"/> mm <input type="checkbox"/> INCH <input checked="" type="checkbox"/> mm ONLY		
DESIGN UNITS	<input checked="" type="checkbox"/> mm <input type="checkbox"/> INCH			
THIRD ANGLE PROJECTION	<input checked="" type="checkbox"/> THIRD ANGLE <input type="checkbox"/> FIRST ANGLE			
DRAWN BY & DATE	K.KOHAMA '00/08/28	TITLE:	3 CIRCUITS PLUG HSG (0.093 DIA TERMINAL)	
CHECKED BY & DATE	T.YAMAGUCHI '00/08/28	MOLEX INCORPORATED		
APPROVED BY & DATE	M.FUKUSHIMA '00/08/28	MATERIAL NO.	DRAWING NO.	SHEET NO.
CAD FILENAME	1396002.S01	SEE NOTES	SD-1396-002	1 OF 1
THIS DRAWING CONTAINS INFORMATION THAT IS PROPRIETARY TO MOLEX INCORPORATED AND SHOULD NOT BE USED WITHOUT WRITTEN PERMISSION.				SIZE B