

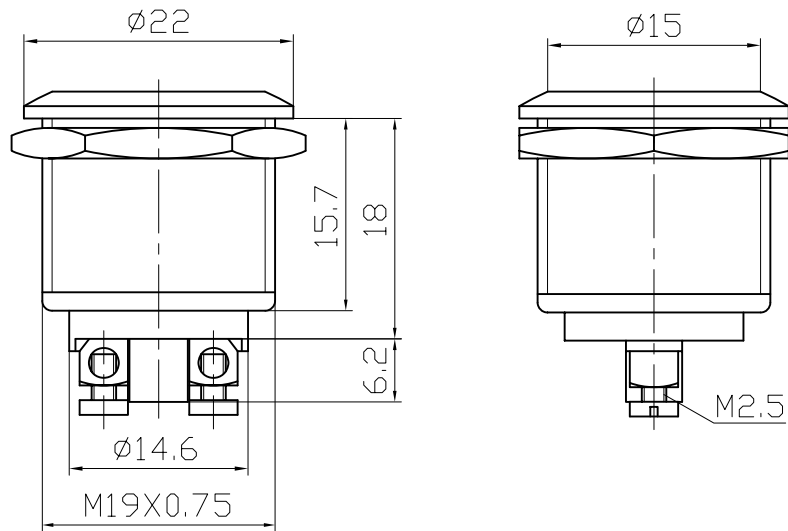
# Push-Button Switch

## PS28B

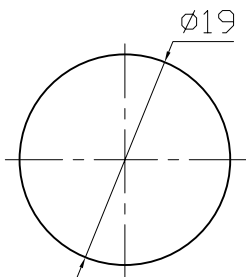
### (Specification)

(Rating): 4A 125V AC; 2A 250V AC  
(Contact R): 20mΩ max  
(Insulation R): 500V DC 100MΩ min  
(Dielectric Strength): 1 Minute 1000V AC  
(Operating Temperature): -25°C ~ +85°C  
(Electrical Life): 50,000 Cycles

### (Outline Drawing)



### (Mounting)



### (Circuitry)

